



# SENSOR

SERIES

## M5/M8/M12 Connectors

Connector standards have been in market for many years, M8/M12 connectors are adopted and considered the sensor standard throughout the industrial and automation market place. M5 connectors are the most compact type and suitable for miniature -space applications.

Available in different pole configurations, ODS M5/M8/M12 Connectors are IEC compliant products that are designed to withstand harsh-industrial and weather environments with superior quality that assures very reliable connections for control elements in automated equipment.

As the number of applications grew, so did the variations of the M5/M8/M12. IEC61076-2 spelled out different types of "coding" needed to ensure proper connection within specific applications.

### M8 CODINGS

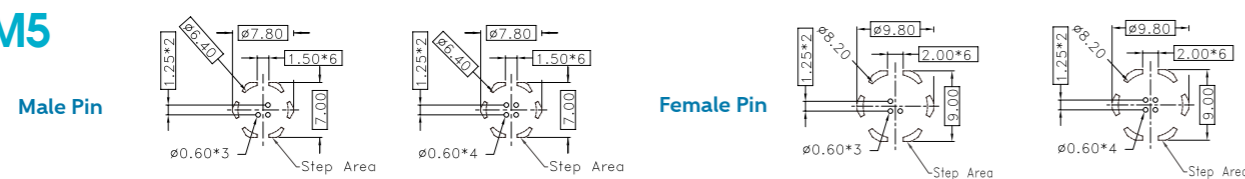
<b>A-Code</b>	General sensor/actuator connections, DeviceNet, CANOpen		<b>B-Code</b>	Sensor connections (including AC sensors) for PROFIBUS Fieldbus protocols	
			<b>F-Key</b>	Variety of other uses	

### M12 CODINGS

<b>A-Code</b>	A-Code General sensor/actuator connections, DeviceNet, CANOpen		<b>L-Code</b>	Used for DC power supply in accordance Profinet; Up to 16 A / 63 V DC in accordance with IEC 61076-2-111	
<b>B-Code</b>	Sensor connections (including AC sensors) for PROFIBUS Fieldbus protocols		<b>K-Code</b>	Used for AC applications such as connecting the power cable on a three-phase motor; Up to 12 A / 630 V AC in accordance with IEC 61076-2-111	
<b>D-Code</b>	Industrial Ethernet, Profinet, Ethernet I/O and EtherCat		<b>S-Code</b>	Designed for AC power supplies with up to 12A / 630 V AC, making it the ideal solution as a power connection for AC motors and drives; in accordance with IEC 61076-2-111	
<b>X-Code</b>	Cat6A, high-speed 10Gbit rugged industrial Ethernet applications IEC 61076-2-109		<b>T-Code</b>	Designed for DC power supplies with 12 A / 63 V DC, which works well for low-voltage applications, such as power supplies for fieldbus Ethernet components; in accordance with IEC 61076-2-111	

### PCB LAYOUT

#### M5



### WIRE COLOR PIN ASSIGNMENT

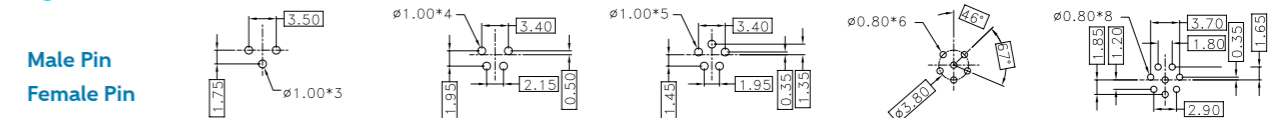
#### M5



## M8/M12 Connectors

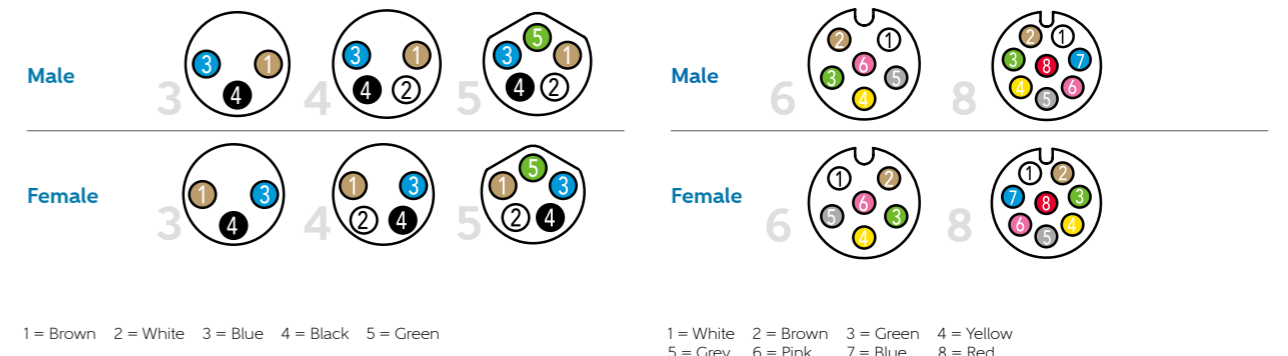
### PCB LAYOUT

#### M8



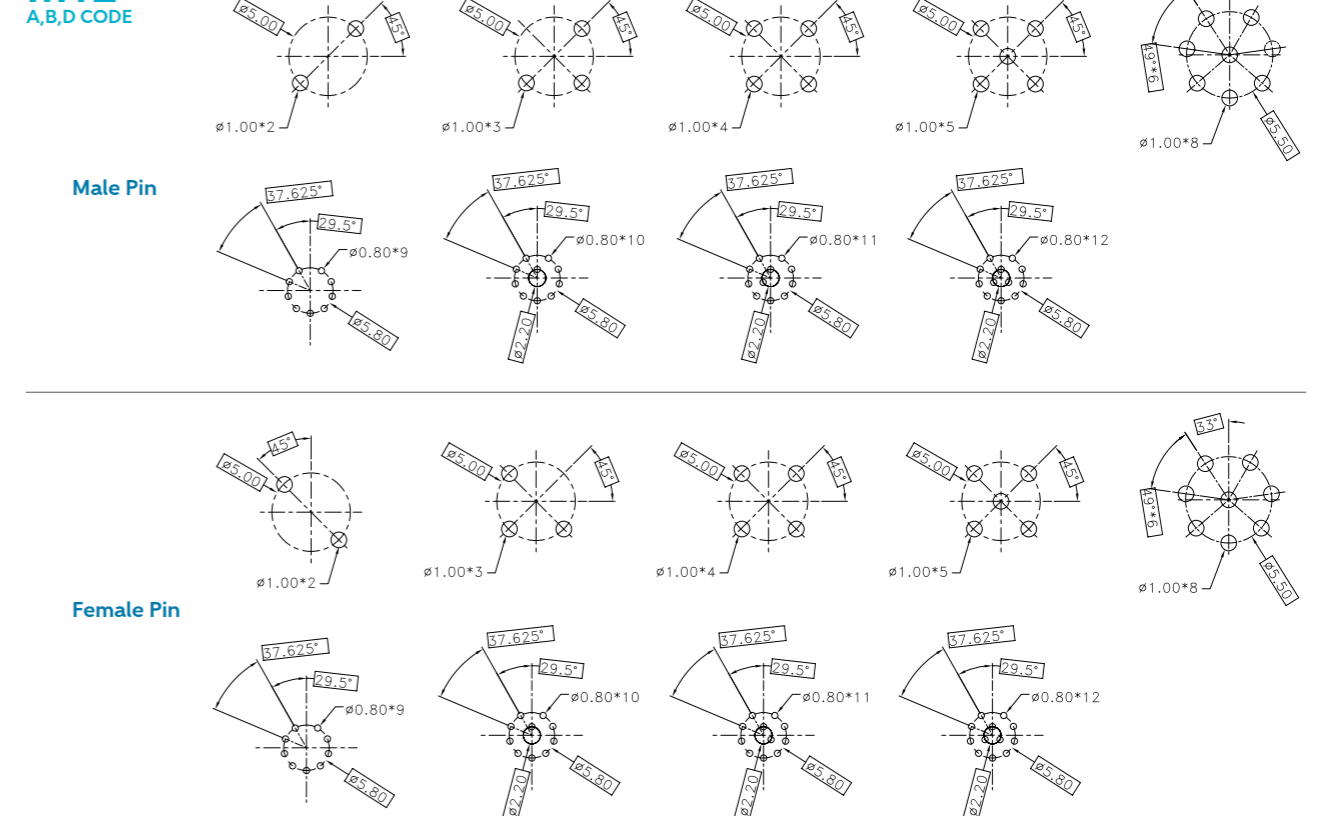
### WIRE COLOR PIN ASSIGNMENT

#### M8



### PCB LAYOUT

#### M12

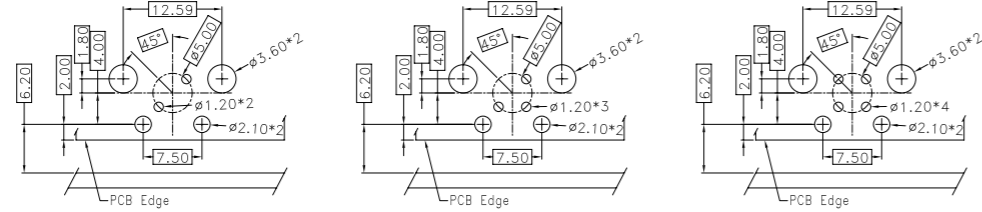


# M12 Connectors

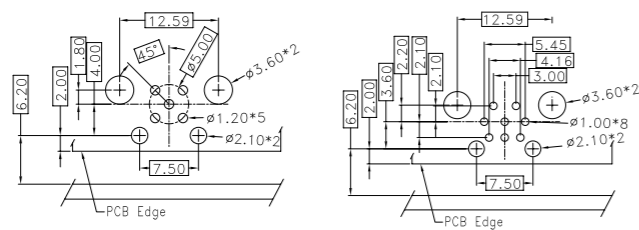
## PCB LAYOUT

### M12

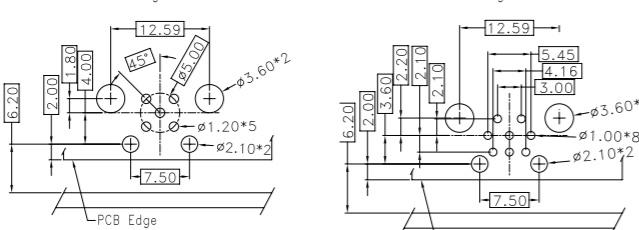
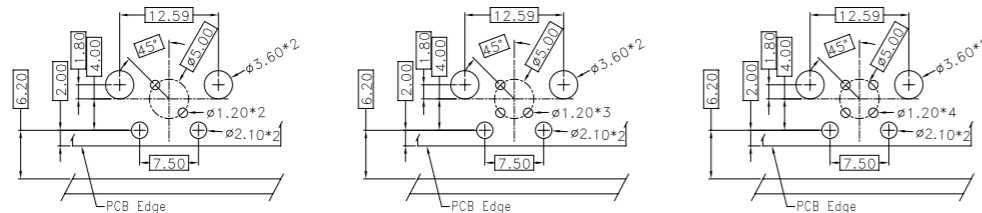
A,B,D CODE  
Plastic Right Angle



Male Pin

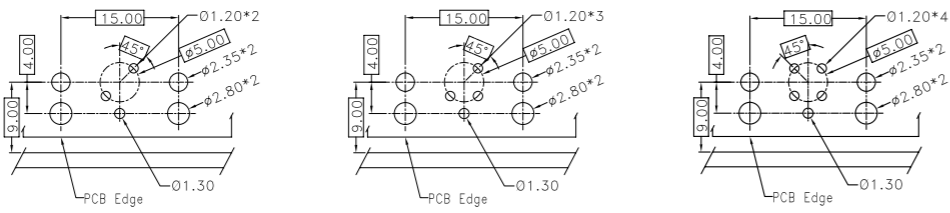


Female Pin

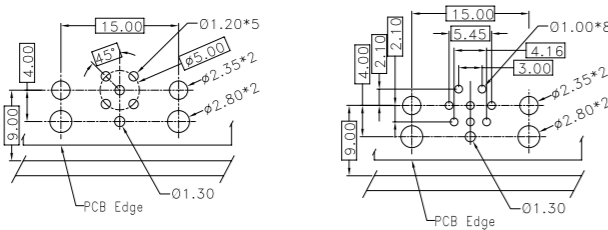


### M12

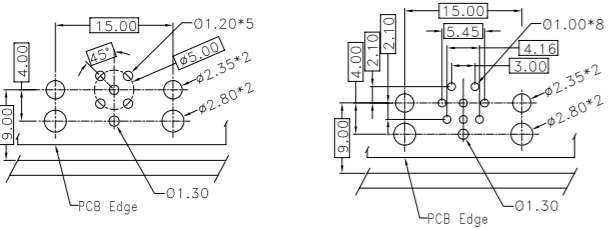
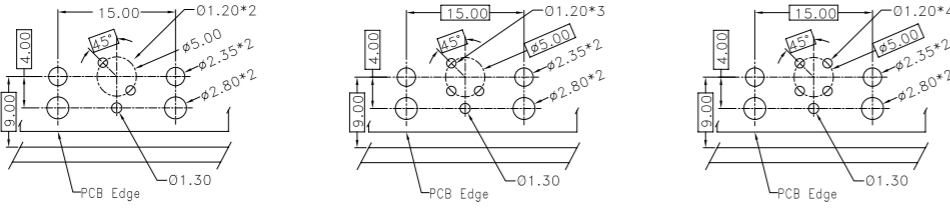
A,B,D CODE  
Metal Right Angle



Male Pin



Female Pin



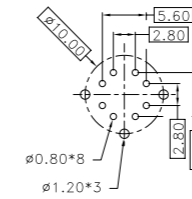
# M12 Connectors

## PCB LAYOUT

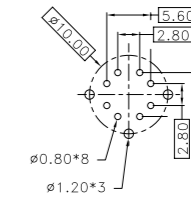
### M12

X CODE

Male Pin



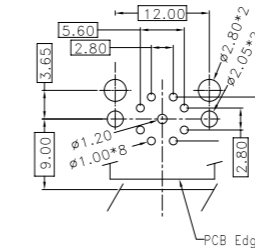
Female Pin



### M12

X CODE  
Right Angle  
Female Pin

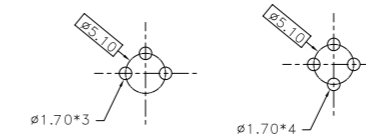
Female Pin



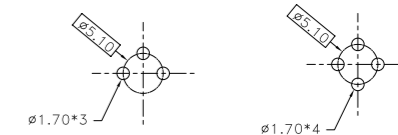
### M12

S,T CODE

Male Pin



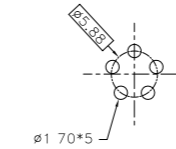
Female Pin



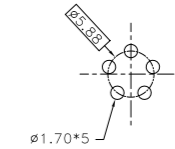
### M12

L CODE

Male Pin

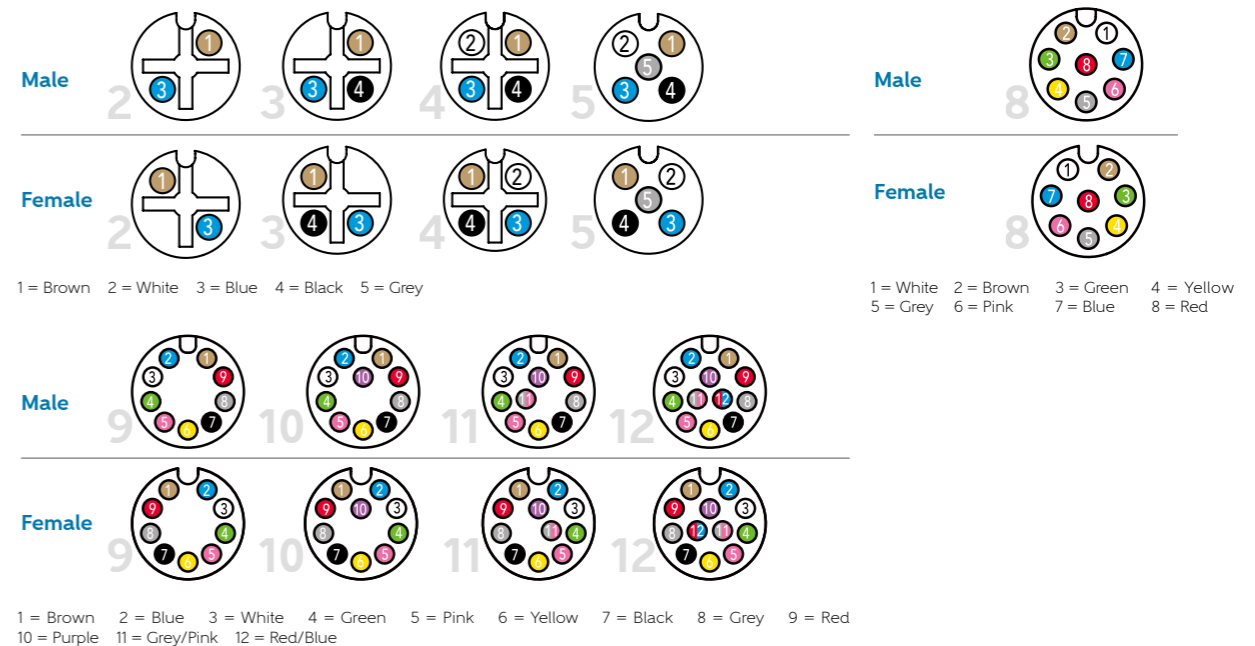


Female Pin



## WIRE COLOR PIN ASSIGNMENT

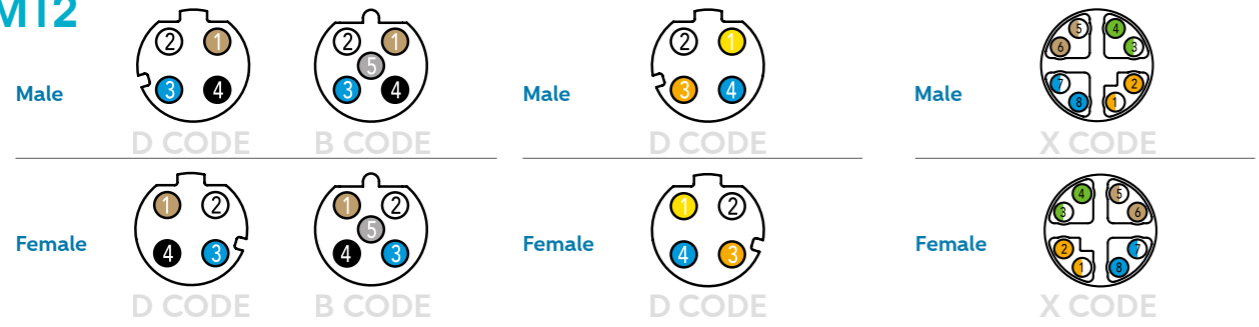
### M12



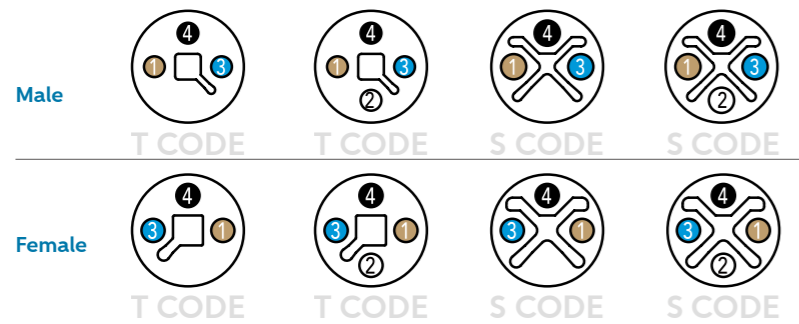
# M12 Connectors

## WIRE COLOR PIN ASSIGNMENT

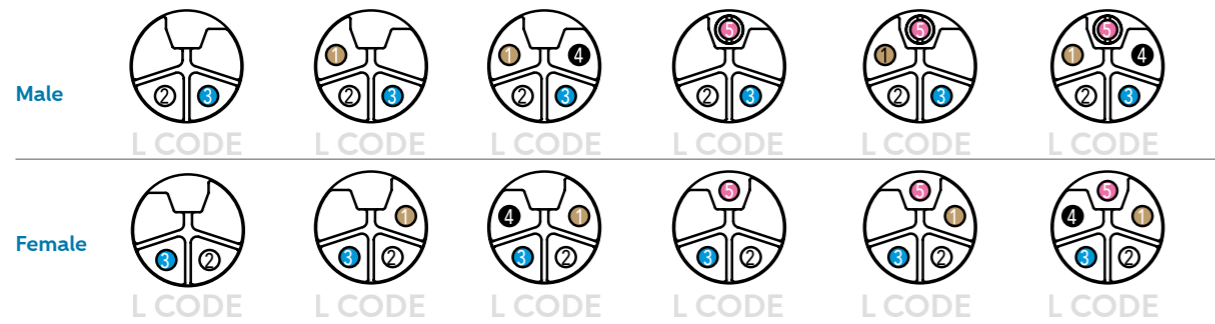
### M12



1 = Brown 2 = White 3 = Blue 4 = Black 5 = Grey  
 1 = Yellow 2 = White 3 = Orange 4 = Blue  
 1 = Orange/White 2 = Orange 3 = Green/White 4 = Green 5 = Brown/White 6 = Brown 7 = Blue/White 8 = Blue



1 = Brown 2 = White 3 = Blue 4 = Black



1 = Brown 2 = White 3 = Blue 4 = Black 5(FE) = Pink

# M5 Receptacle (Metal)

## Product Specifications

### General Data

Number of Positions	3P, 4P
Coding	A-Coding
Contact Housing	Nylon + GF
Shell / Screw Nut	Copper Alloy, Nickel Plated
Terminal	Copper Alloy, Gold Plated

### Environmental Data

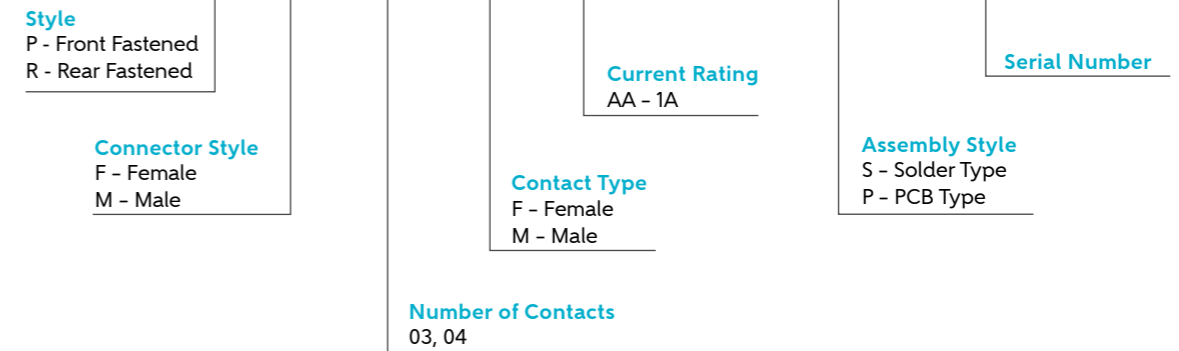
Mating Style	Screw Thread
Max Panel Thickness	3.0mm (Without Cap Chain)
Temperature Range	-40°C ~ +90°C
Salt Spray	48 hr.
Protection Class	IPX8 (Mated)
Durability	100 Times

### Electrical Data

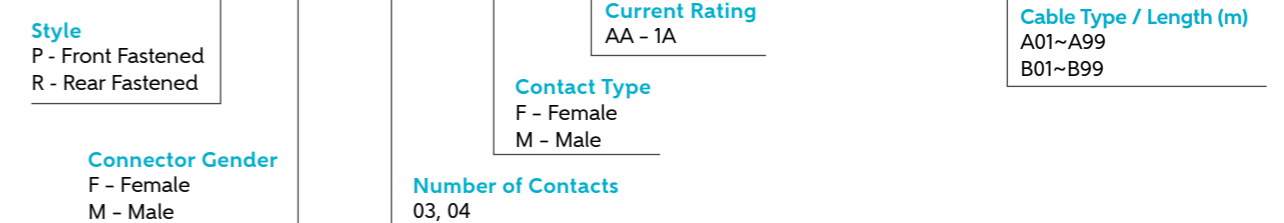
Current Rating	1A
Voltage Rating	60V
Contact Resistance	≤ 10mΩ
Insulation Resistance	≥ 100MΩ at DC 500V
Withstanding Voltage	3/4P: AC 900V/1 Minute
Standard	IEC 61076-2-105

## How to Order

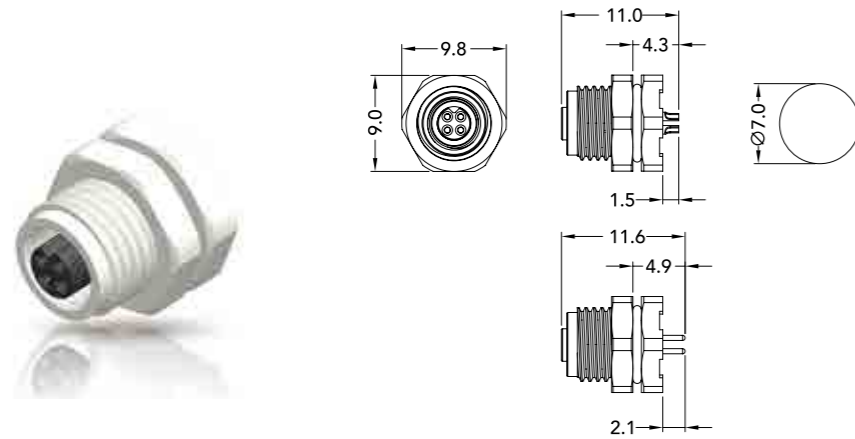
MMGX X XX X XX - SHX8XXX



MMG X X XX X XX - SHC8XXX



### M5 Receptacle (Metal) Front Fastened, IPX8 (Mated)



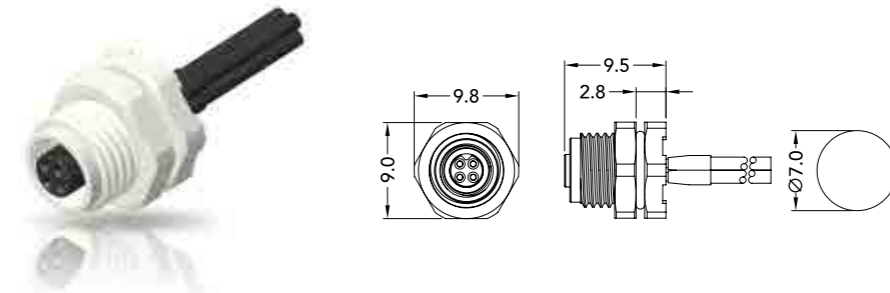
#### Features and Benefits

- Female Connector, Female Pin
- IEC compliant M5 panel mount receptacles
- Shielded for high noise immunity
- Fully potted assemblies provide IPX8 protection for harsh environments
- Small, compact design for miniature sensors and space sensitive applications

Part Number	Contact	Current	Voltage	Ass'y Type
MMGPF03FAA-SHP8001	3Pin	1A	60V	PCB Straight
MMGPF04FAA-SHP8001	4Pin	1A	60V	PCB Straight

Part Number	Contact	Current	Voltage	Ass'y Type
MMGPF03FAA-SHS8001	3Pin	1A	60V	Solder
MMGPF04FAA-SHS8001	4Pin	1A	60V	Solder

### M5 Receptacle (Metal) Front Fastened, IPX8 (Mated)

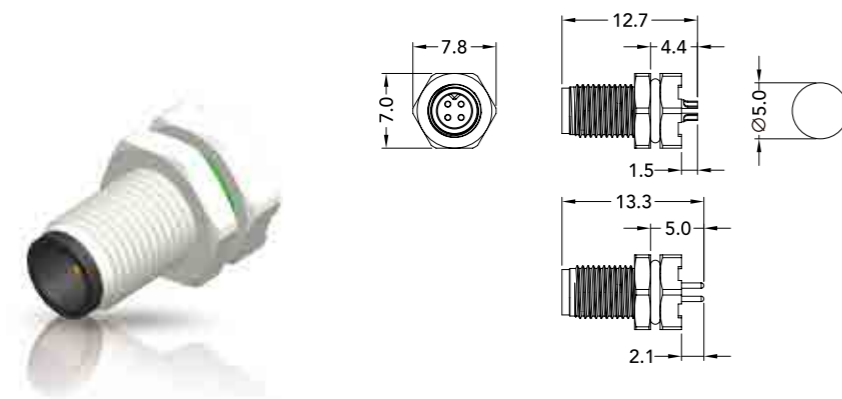


#### Features and Benefits

- Female Connector, Female Pin
- IEC compliant M5 panel mount receptacles with wire
- Shielded for high noise immunity
- Fully potted assemblies provide IPX8 protection for harsh environment
- Small, compact design for miniature sensors and space sensitive applications

Part Number	Contact	Current	Voltage	Ass'y Type
MMGPF03FAA-SHC8AXX	3Pin	1A	60V	Wire Harness End Cut
MMGPF04FAA-SHC8AXX	4Pin	1A	60V	Wire Harness End Cut

### M5 Receptacle (Metal) Front Fastened, IPX8 (Mated)



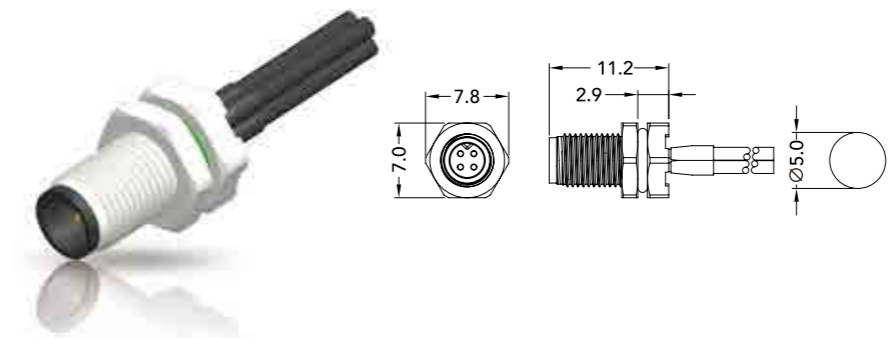
#### Features and Benefits

- Male Connector, Male Pin
- IEC compliant M5 panel mount receptacles
- Shielded for high noise immunity
- Fully potted assemblies provide IPX8 protection for harsh environments
- Small, compact design for miniature sensors and space sensitive applications

Part Number	Contact	Current	Voltage	Ass'y Type
MMGPM03MAA-SHP8001	3Pin	1A	60V	PCB Straight
MMGPM04MAA-SHP8001	4Pin	1A	60V	PCB Straight

Part Number	Contact	Current	Voltage	Ass'y Type
MMGPM03MAA-SHS8001	3Pin	1A	60V	Solder
MMGPM04MAA-SHS8001	4Pin	1A	60V	Solder

### M5 Receptacle (Metal) Front Fastened, IPX8 (Mated)

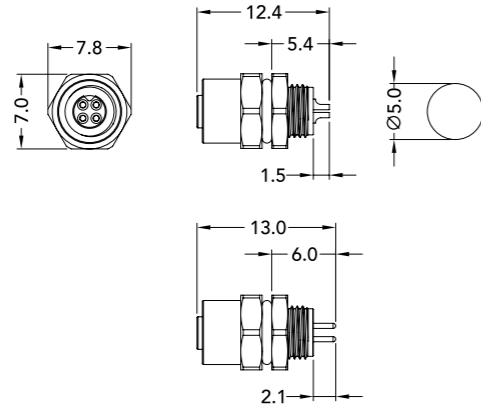


#### Features and Benefits

- Male Connector, Male Pin
- IEC compliant M5 panel mount receptacles with wire
- Shielded for high noise immunity
- Fully potted assemblies provide IPX8 protection for harsh environments
- Small, compact design for miniature sensors and space sensitive applications

Part Number	Contact	Current	Voltage	Ass'y Type
MMGPM03MAA-SHC8AXX	3Pin	1A	60V	Wire Harness End Cut
MMGPM04MAA-SHC8AXX	4Pin	1A	60V	Wire Harness End Cut

### M5 Receptacle (Metal) Rear Fastened, IPX8 (Mated)



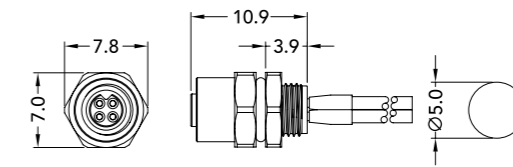
#### Features and Benefits

- **Female Connector, Female Pin**
- IEC compliant M5 panel mount receptacles
- Shielded for high noise immunity
- Fully potted assemblies provide IPX8 protection for harsh environments
- Small, compact design for miniature sensors and space sensitive applications

Part Number	Contact	Current	Voltage	Ass'y Type
MMGRF03FAA-SHP8001	3Pin	1A	60V	PCB Straight
MMGRF04FAA-SHP8001	4Pin	1A	60V	PCB Straight

Part Number	Contact	Current	Voltage	Ass'y Type
MMGRF03FAA-SHS8001	3Pin	1A	60V	Solder
MMGRF04FAA-SHS8001	4Pin	1A	60V	Solder

### M5 Receptacle (Metal) Rear Fastened, IPX8 (Mated)

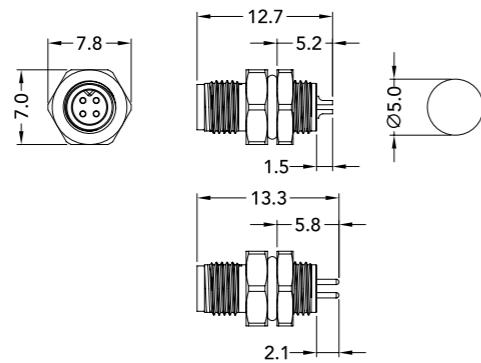


#### Features and Benefits

- **Female Connector, Female Pin**
- IEC compliant M5 panel mount receptacles with wire
- Shielded for high noise immunity
- Fully potted assemblies provide IPX8 protection for harsh environments
- Small, compact design for miniature sensors and space sensitive applications

Part Number	Contact	Current	Voltage	Ass'y Type
MMGRF03FAA-SHC8AXX	3Pin	1A	60V	Wire Harness End Cut
MMGRF04FAA-SHC8AXX	4Pin	1A	60V	Wire Harness End Cut

### M5 Receptacle (Metal) Rear Fastened, IPX8 (Mated)



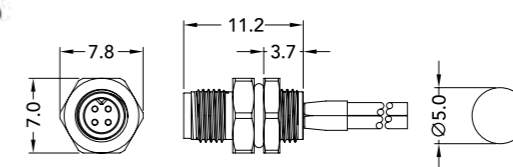
#### Features and Benefits

- **Male Connector, Male Pin**
- IEC compliant M5 panel mount receptacles
- Shielded for high noise immunity
- Fully potted assemblies provide IPX8 protection for harsh environments
- Small, compact design for miniature sensors and space sensitive applications

Part Number	Contact	Current	Voltage	Ass'y Type
MMGRM03MAA-SHP8001	3Pin	1A	60V	PCB Straight
MMGRM04MAA-SHP8001	4Pin	1A	60V	PCB Straight

Part Number	Contact	Current	Voltage	Ass'y Type
MMGRM03MAA-SHS8001	3Pin	1A	60V	Solder
MMGRM04MAA-SHS8001	4Pin	1A	60V	Solder

### M5 Receptacle (Metal) Rear Fastened, IPX8 (Mated)



#### Features and Benefits

- **Male Connector, Male Pin**
- IEC compliant M5 panel mount receptacles with wire
- Shielded for high noise immunity
- Fully potted assemblies provide IPX8 protection for harsh environments
- Small, compact design for miniature sensors and space sensitive applications

Part Number	Contact	Current	Voltage	Ass'y Type
MMGRM03MAA-SHC8AXX	3Pin	1A	60V	Wire Harness End Cut
MMGRM04MAA-SHC8AXX	4Pin	1A	60V	Wire Harness End Cut

## M5 Cable Assembly (Metal Nut)

### Product Specifications

#### General Data

Number of Positions	3P, 4P
Coding	A-Coding
Contact Housing	Nylon + GF
Shell / Screw Nut	Copper Alloy, Nickel Plated
Terminal	Copper Alloy, Gold Plated

#### Electrical Data

Current Rating	1A
Voltage Rating	60V
Contact Resistance	≤ 10mΩ
Withstanding Voltage	3/4P: AC 900V/1 Minute
Standard	IEC 61076-2-105

#### Environmental Data

Mating Style	Screw Thread
Temperature Range	-20°C ~ +80°C
Salt Spray	48 hr.
Protection Class	IPX7 (Mated)
Durability	100 Times
Assemble Type	Cable End Cut

### How to Order

ESGB X XX X XX - SLC7XXX

Connector Gender  
F - Female  
M - Male

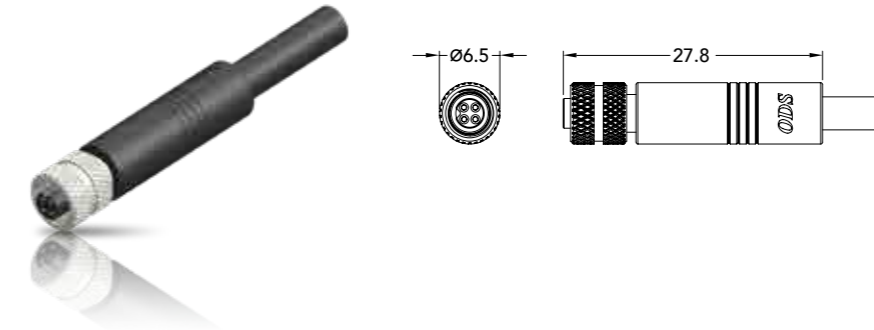
Number of Contacts  
03, 04

Contact Type  
F - Female  
M - Male

Current Rating  
AA - 1A

Cable Type / Length (m)  
A01~A99  
B01~B99

## M5 Cable Assembly (Metal Nut) Straight, IPX7 (Mated)

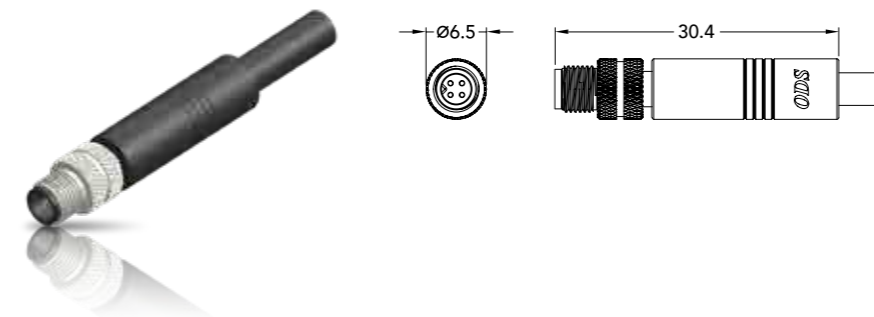


#### Features and Benefits

- Female Connector, Female Pin
- Fully shielded for high noise immunity
- IEC compliant M5 cable assemblies with threaded couplers
- Small, compact design for miniature sensors and space sensitive applications
- Wide selection of cables to fit applications

Part Number	Contact	Current	Voltage
ESGBF03FAA-SLC7AXX	3Pin	1A	60V
ESGBF04FAA-SLC7AXX	4Pin	1A	60V

## M5 Cable Assembly (Metal Nut) Straight, IPX7 (Mated)



#### Features and Benefits

- Male Connector, Male Pin
- Fully shielded for high noise immunity
- IEC compliant M5 cable assemblies with threaded couplers
- Small, compact design for miniature sensors and space sensitive applications
- Wide selection of cables to fit applications

Part Number	Contact	Current	Voltage
ESGBM03MAA-SLC7AXX	3Pin	1A	60V
ESGBM04MAA-SLC7AXX	4Pin	1A	60V

# M8 A-Code Receptacle (Metal)

## Product Specifications

### General Data

Number of Positions	3/4/6/8P
Coding	A-Coding
Contact Housing	Nylon + GF
Shell / Screw Nut	Copper Alloy, Nickel Plated
Terminal	Copper Alloy, Gold Plated

### Environmental Data

Mating Style	Screw Thread
Max Panel Thickness	2.5mm (Without Cap Chain)
Temperature Range	-40°C ~ +90°C
Salt Spray	48 hr.
Protection Class	IPX7 (Unmated)
Durability	100 Times

### Electrical Data

Current Rating	3/4P: 3A ; 6/8P: 1.5A
Voltage Rating	3/4P: 60V ; 6/8P: 30V
Contact Resistance	≤ 10mΩ
Insulation Resistance	≥ 100MΩ at DC 500V
Withstanding Voltage	3/4P: AC 1000V/1 Minute 6/8P: AC 650V/1 Minute
Standard	IEC 61076-2-104

## How to Order

MME X X XX X XX - SHX7XXX

**Style**  
P - Front Fastened  
R - Rear Fastened

**Connector Gender**  
F - Female  
M - Male

**Number of Contacts**  
03, 04, 06, 08

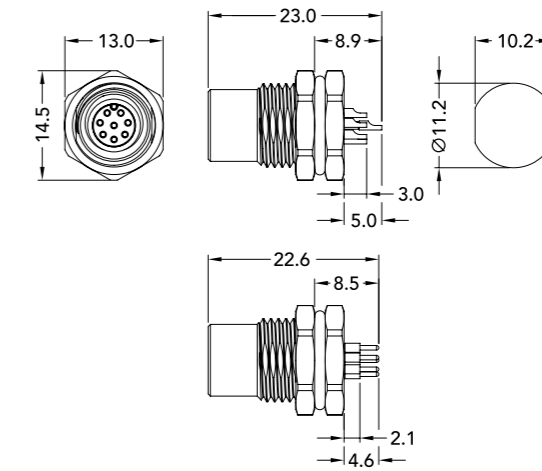
**Contact Type**  
F - Female  
M - Male

**Current Rating**  
AA - 1.5A (6/8P)  
CC - 3A (3/4P)

**Assembly Style**  
S - Solder Type  
P - PCB Type

**Serial Number**

# M8 A-Code Receptacle (Metal) Front Fastened, IPX7



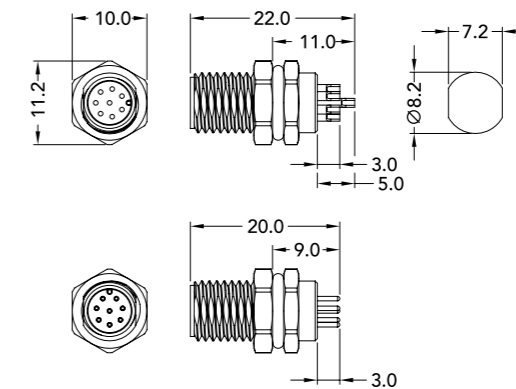
### Features and Benefits

- Female Connector, Female Pin
- Shielded for high noise immunity
- IEC compliant M8 panel mount receptacles
- Fully potted assemblies provide IPX7 protection for harsh environments

Part Number	Contact	Current	Voltage	Ass'y Type
MMEPF03FCC-SHS7001	3Pin	3A	60V	Solder
MMEPF04FCC-SHS7001	4Pin	3A	60V	Solder
MMEPF06FAA-SHS7001	6Pin	1.5A	30V	Solder
MMEPF08FAA-SHS7001	8Pin	1.5A	30V	Solder

Part Number	Contact	Current	Voltage	Ass'y Type
MMEPF03FCC-SHP7001	3Pin	3A	60V	PCB Straight
MMEPF04FCC-SHP7001	4Pin	3A	60V	PCB Straight
MMEPF06FAA-SHP7001	6Pin	1.5A	30V	PCB Straight
MMEPF08FAA-SHP7001	8Pin	1.5A	30V	PCB Straight

# M8 A-Code Receptacle (Metal) Front Fastened, IPX7



### Features and Benefits

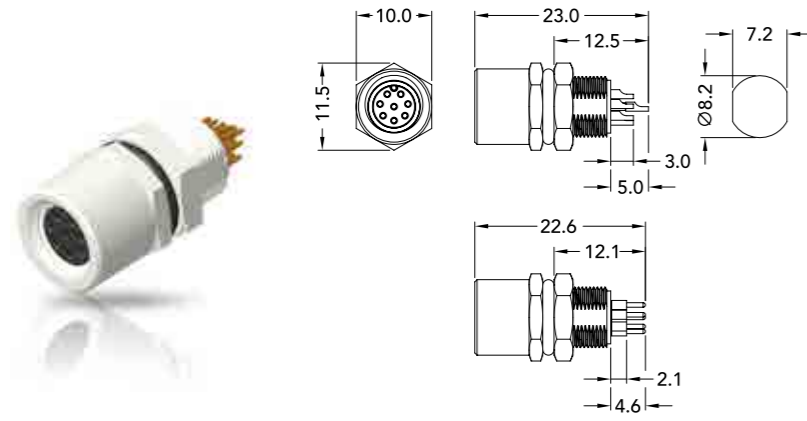
- Male Connector, Male Pin
- Shielded for high noise immunity
- IEC compliant M8 panel mount receptacles
- Fully potted assemblies provide IPX7 protection for harsh environments

Part Number	Contact	Current	Voltage	Ass'y Type
MMEPM03MCC-SHS7001	3Pin	3A	60V	Solder
MMEPM04MCC-SHS7001	4Pin	3A	60V	Solder
MMEPM06MAA-SHS7001	6Pin	1.5A	30V	Solder
MMEPM08MAA-SHS7001	8Pin	1.5A	30V	Solder

Part Number	Contact	Current	Voltage	Ass'y Type
MMEPM03MCC-SHP7001	3Pin	3A	60V	PCB Straight
MMEPM04MCC-SHP7001	4Pin	3A	60V	PCB Straight
MMEPM06MAA-SHP7001	6Pin	1.5A	30V	PCB Straight
MMEPM08MAA-SHP7001	8Pin	1.5A	30V	PCB Straight



### M8 A-Code Receptacle (Metal) Rear Fastened, IPX7



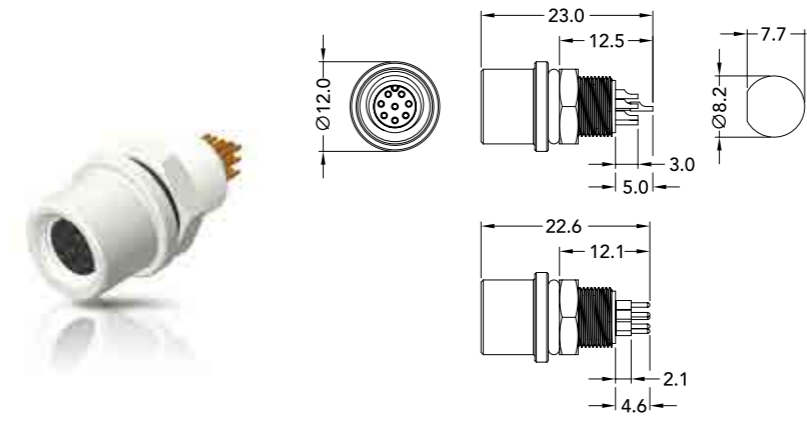
#### Features and Benefits

- Female Connector, Female Pin
- Shielded for high noise immunity
- IEC compliant M8 panel mount receptacles
- Fully potted assemblies provide IPX7 protection for harsh environments

Part Number	Contact	Current	Voltage	Ass'y Type
MMERF03FCC-SHS7001	3Pin	3A	60V	Solder
MMERF04FCC-SHS7001	4Pin	3A	60V	Solder
MMERF06FAA-SHS7001	6Pin	1.5A	30V	Solder
MMERF08FAA-SHS7001	8Pin	1.5A	30V	Solder

Part Number	Contact	Current	Voltage	Ass'y Type
MMERF03FCC-SHP7001	3Pin	3A	60V	PCB Straight
MMERF04FCC-SHP7001	4Pin	3A	60V	PCB Straight
MMERF06FAA-SHP7001	6Pin	1.5A	30V	PCB Straight
MMERF08FAA-SHP7001	8Pin	1.5A	30V	PCB Straight

### M8 A-Code Receptacle (Metal) Rear Fastened, IPX7



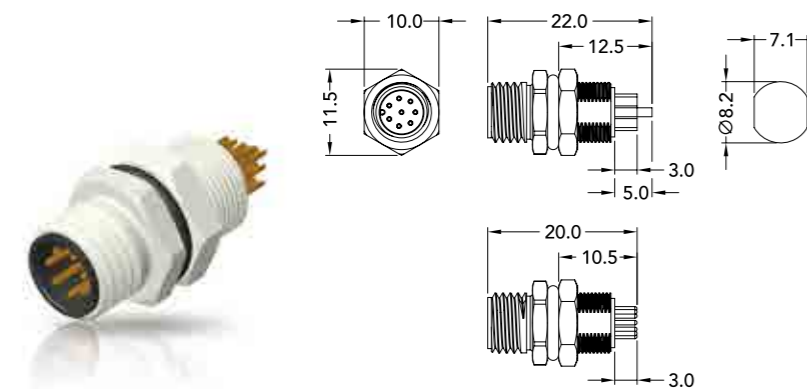
#### Features and Benefits

- Female Connector, Female Pin
- Shielded for high noise immunity
- IEC compliant M8 panel mount receptacles
- Fully potted assemblies provide IPX7 protection for harsh environments

Part Number	Contact	Current	Voltage	Ass'y Type
MMERF03FCC-SCS7001	3Pin	3A	60V	Solder
MMERF04FCC-SCS7001	4Pin	3A	60V	Solder
MMERF06FAA-SCS7001	6Pin	1.5A	30V	Solder
MMERF08FAA-SCS7001	8Pin	1.5A	30V	Solder

Part Number	Contact	Current	Voltage	Ass'y Type
MMERF03FCC-SCP7001	3Pin	3A	60V	PCB Straight
MMERF04FCC-SCP7001	4Pin	3A	60V	PCB Straight
MMERF06FAA-SCP7001	6Pin	1.5A	30V	PCB Straight
MMERF08FAA-SCP7001	8Pin	1.5A	30V	PCB Straight

### M8 A-Code Receptacle (Metal) Rear Fastened, IPX7



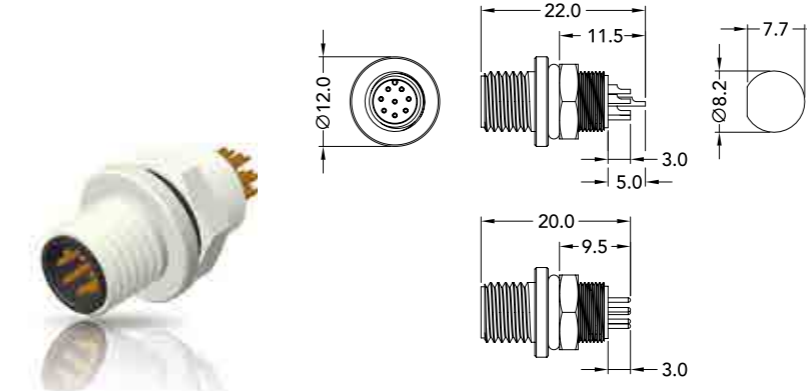
#### Features and Benefits

- Male Connector, Male Pin
- Shielded for high noise immunity
- IEC compliant M8 panel mount receptacles
- Fully potted assemblies provide IPX7 protection for harsh environments

Part Number	Contact	Current	Voltage	Ass'y Type
MMERM03MCC-SHS7001	3Pin	3A	60V	Solder
MMERM04MCC-SHS7001	4Pin	3A	60V	Solder
MMERM06MAA-SHS7001	6Pin	1.5A	30V	Solder
MMERM08MAA-SHS7001	8Pin	1.5A	30V	Solder

Part Number	Contact	Current	Voltage	Ass'y Type
MMERM03MCC-SHP7001	3Pin	3A	60V	PCB Straight
MMERM04MCC-SHP7001	4Pin	3A	60V	PCB Straight
MMERM06MAA-SHP7001	6Pin	1.5A	30V	PCB Straight
MMERM08MAA-SHP7001	8Pin	1.5A	30V	PCB Straight

### M8 A-Code Receptacle (Metal) Rear Fastened, IPX7



#### Features and Benefits

- Male Connector, Male Pin
- Shielded for high noise immunity
- IEC compliant M8 panel mount receptacles
- Fully potted assemblies provide IPX7 protection for harsh environments

Part Number	Contact	Current	Voltage	Ass'y Type
MMERM03MCC-SCS7001	3Pin	3A	60V	Solder
MMERM04MCC-SCS7001	4Pin	3A	60V	Solder
MMERM06MAA-SCS7001	6Pin	1.5A	30V	Solder
MMERM08MAA-SCS7001	8Pin	1.5A	30V	Solder

Part Number	Contact	Current	Voltage	Ass'y Type
MMERM03MCC-SCP7001	3Pin	3A	60V	PCB Straight
MMERM04MCC-SCP7001	4Pin	3A	60V	PCB Straight
MMERM06MAA-SCP7001	6Pin	1.5A	30V	PCB Straight
MMERM08MAA-SCP7001	8Pin	1.5A	30V	PCB Straight

# M8 A-Code Receptacle (Plastic)

## Product Specifications

### General Data

Number of Positions	3/4/6/8P
Coding	A-Coding
Contact Housing	Nylon + GF
Shell / Screw Nut	Nylon + GF
Terminal	Copper Alloy, Gold Plated

### Environmental Data

Mating Style	Screw Thread
Max Panel Thickness	2.5mm (Without Cap Chain)
Temperature Range	-40°C ~ +90°C
Salt Spray	48 hr.
Protection Class	IPX7 (Unmated)
Durability	100 Times

### Electrical Data

Current Rating	3/4P: 3A ; 6/8P: 1.5A
Voltage Rating	3/4P: 60V ; 6/8P: 30V
Contact Resistance	≤ 10mΩ
Insulation Resistance	≥ 100MΩ at DC 500V
Withstanding Voltage	3/4P: AC 1000V/1 Minute 6/8P: AC 650V/1 Minute
Standard	IEC 61076-2-104

## How to Order

MPE X X XX X XX - SHX7XXX

**Style**  
P - Front Fastened  
R - Rear Fastened

**Connector Gender**  
F - Female  
M - Male

**Number of Contacts**  
03, 04, 06, 08

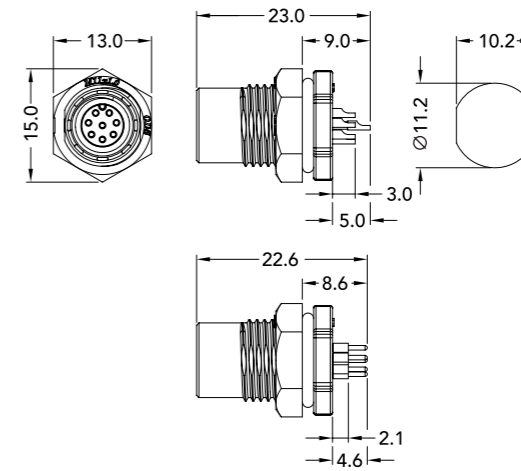
**Contact Type**  
F - Female  
M - Male

**Current Rating**  
AA - 1.5A (6/8P)  
CC - 3A (3/4P)

**Assembly Style**  
S - Solder Type  
P - PCB Type

**Serial Number**

# M8 A-Code Receptacle (Plastic) Front Fastened, IPX7

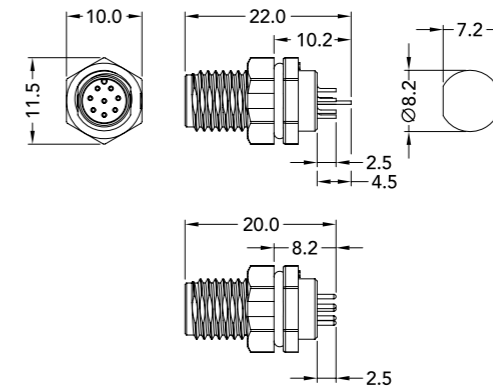


### Features and Benefits

- Female Connector, Female Pin
- IEC compliant M8 panel mount receptacles
- Fully potted assemblies provide IPX7 protection for harsh environments

Part Number	Contact	Current	Voltage	Ass'y Type	Part Number	Contact	Current	Voltage	Ass'y Type
MPEPF03FCC-SHS7001	3Pin	3A	60V	Solder	MPEPF03FCC-SHP7001	3Pin	3A	60V	PCB Straight
MPEPF04FCC-SHS7001	4Pin	3A	60V	Solder	MPEPF04FCC-SHP7001	4Pin	3A	60V	PCB Straight
MPEPF06FAA-SHS7001	6Pin	1.5A	30V	Solder	MPEPF06FAA-SHP7001	6Pin	1.5A	30V	PCB Straight
MPEPF08FAA-SHS7001	8Pin	1.5A	30V	Solder	MPEPF08FAA-SHP7001	8Pin	1.5A	30V	PCB Straight

# M8 A-Code Receptacle (Plastic) Front Fastened, IPX7



### Features and Benefits

- Male Connector, Male Pin
- IEC compliant M8 panel mount receptacles
- Fully potted assemblies provide IPX7 protection for harsh environments

Part Number	Contact	Current	Voltage	Ass'y Type	Part Number	Contact	Current	Voltage	Ass'y Type
MPEPM03MCC-SHS7001	3Pin	3A	60V	Solder	MPEPM03MCC-SHP7001	3Pin	3A	60V	PCB Straight
MPEPM04MCC-SHS7001	4Pin	3A	60V	Solder	MPEPM04MCC-SHP7001	4Pin	3A	60V	PCB Straight
MPEPM06MAA-SHS7001	6Pin	1.5A	30V	Solder	MPEPM06MAA-SHP7001	6Pin	1.5A	30V	PCB Straight
MPEPM08MAA-SHS7001	8Pin	1.5A	30V	Solder	MPEPM08MAA-SHP7001	8Pin	1.5A	30V	PCB Straight

## M8 A-Code Cable Assembly (Metal Nut)

### Product Specifications

#### General Data

Number of Positions	3/4/6/8P
Coding	A-Coding
Contact Housing	Nylon + GF
Screw Nut	Copper Alloy, Nickel Plated
Terminal	Copper Alloy, Gold Plated

#### Electrical Data

Current Rating	3/4P: 3A ; 6/8P: 1.5A
Voltage Rating	3/4P: 60V ; 6/8P: 30V
Contact Resistance	≤ 10mΩ
Withstanding Voltage	3/4P: AC 1000V/1 Minute 6/8P: AC 650V/1 Minute
Standard	IEC61076-2-104

#### Environmental Data

Mating Style	Screw Thread
Temperature Range	-20°C ~ +80°C
Salt Spray	48 hr.
Protection Class	IPX7 (Mated)
Durability	100 Times
Assemble Type	Cable End Cut

### How to Order

EAEA X XX X XX - SXC7XXX

**Connector Gender**  
F - Female  
M - Male

**Number of Contacts**  
03, 04, 06, 08

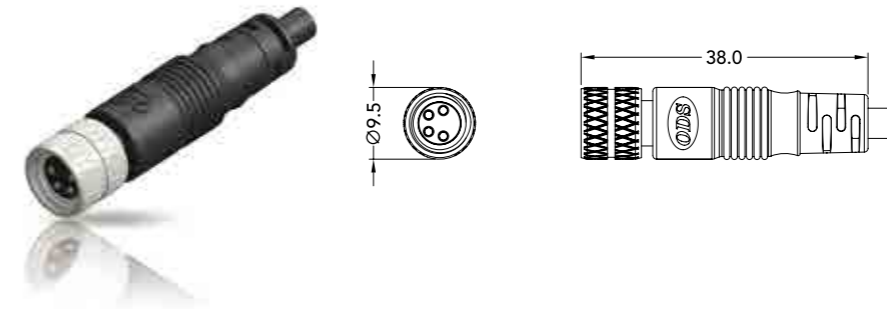
**Contact Type**  
F - Female  
M - Male

**Current Rating**  
AA - 1.5A (6/8P)  
CC - 3A (3/4P)

**Back Shell**  
L- Straight (180°)  
R- Right Angle (90°) Type1  
A- Right Angle (90°) Type2

**Cable Type / Length (m)**  
A01~A99  
B01~B99

## M8 A-Code Cable Assembly (Metal Nut) Straight, IPX7 (Mated)



#### Features and Benefits

- Female Connector, Female Pin
- IEC compliant M8 cable assemblies with threaded couplers
- Small, compact design for miniature sensors and space sensitive applications
- Wide selection of cables to fit applications

Part Number	Contact	Current	Voltage
EAEAF03FCC-SLC7AXX	3Pin	3A	60V
EAEAF04FCC-SLC7AXX	4Pin	3A	60V

Part Number	Contact	Current	Voltage
EAEAF06FAA-SLC7AXX	6Pin	1.5A	30V
EAEAF08FAA-SLC7AXX	8Pin	1.5A	30V

## M8 A-Code Cable Assembly (Metal Nut) Angled, IPX7 (Mated)



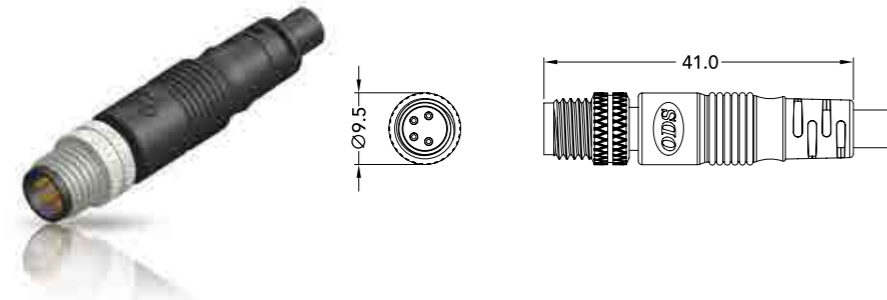
#### Features and Benefits

- Female Connector, Female Pin
- IEC compliant M8 cable assemblies with threaded couplers
- Small, compact design for miniature sensors and space sensitive applications
- Wide selection of cables to fit applications

Part Number	Contact	Current	Voltage
EAEAF03FCC-SRC7AXX	3Pin	3A	60V
EAEAF04FCC-SRC7AXX	4Pin	3A	60V
EAEAF06FAA-SRC7AXX	6Pin	1.5A	30V
EAEAF08FAA-SRC7AXX	8Pin	1.5A	30V

Part Number	Contact	Current	Voltage
EAEAF03FCC-SAC7AXX	3Pin	3A	60V
EAEAF04FCC-SAC7AXX	4Pin	3A	60V
EAEAF06FAA-SAC7AXX	6Pin	1.5A	30V
EAEAF08FAA-SAC7AXX	8Pin	1.5A	30V

## M8 A-Code Cable Assembly (Metal Nut) Straight, IPX7 (Mated)



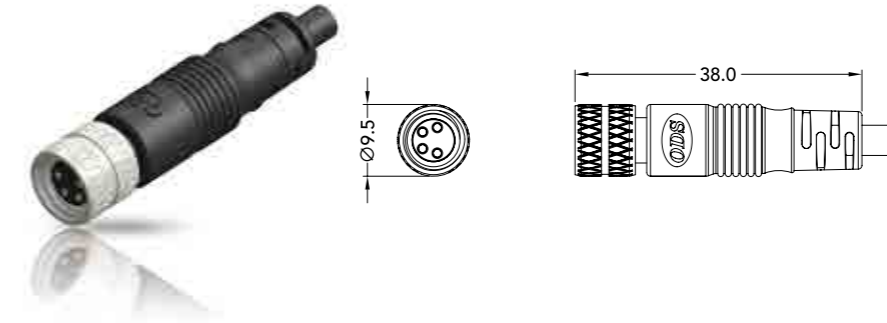
### Features and Benefits

- **Male Connector, Male Pin**
- IEC compliant M8 cable assemblies with threaded couplers
- Small, compact design for miniature sensors and space sensitive applications
- Wide selection of cables to fit applications

Part Number	Contact	Current	Voltage
EAEAM03MCC-SLC7AXX	3Pin	3A	60V
EAEAM04MCC-SLC7AXX	4Pin	3A	60V

Part Number	Contact	Current	Voltage
EAEAM06MAA-SLC7AXX	6Pin	1.5A	30V
EAEAM08MAA-SLC7AXX	8Pin	1.5A	30V

## M8 A-Code Cable Assembly (Metal Nut) Straight, IPX7 (Mated)



### Features and Benefits

- **Female Connector, Female Pin**
- Fully shielded for high noise immunity
- IEC compliant M8 cable assemblies with threaded couplers
- Small, compact design for miniature sensors and space sensitive applications
- Wide selection of cables to fit applications

Part Number	Contact	Current	Voltage
ESEAF03FCC-SLC7AXX	3Pin	3A	60V
ESEAF04FCC-SLC7AXX	4Pin	3A	60V

## M8 A-Code Cable Assembly (Metal Nut) Angled, IPX7 (Mated)



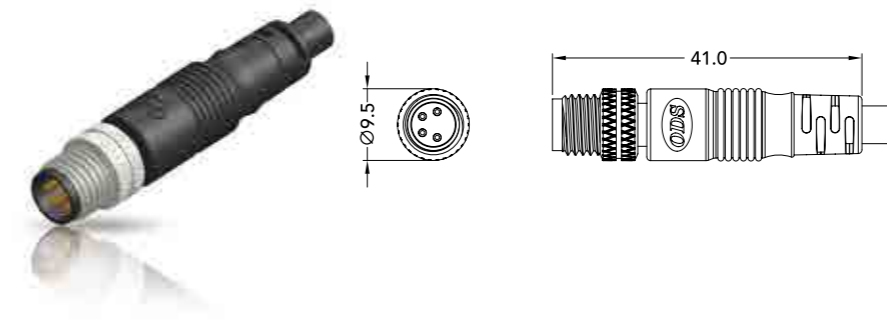
### Features and Benefits

- **Male Connector, Male Pin**
- IEC compliant M8 cable assemblies with threaded couplers
- Small, compact design for miniature sensors and space sensitive applications
- Wide selection of cables to fit applications

Part Number	Contact	Current	Voltage
EAEAM03MCC-SRC7AXX	3Pin	3A	60V
EAEAM04MCC-SRC7AXX	4Pin	3A	60V
EAEAM06MAA-SRC7AXX	6Pin	1.5A	30V
EAEAM08MAA-SRC7AXX	8Pin	1.5A	30V

Part Number	Contact	Current	Voltage
EAEAM03MCC-SAC7AXX	3Pin	3A	60V
EAEAM04MCC-SAC7AXX	4Pin	3A	60V
EAEAM06MAA-SAC7AXX	6Pin	1.5A	30V
EAEAM08MAA-SAC7AXX	8Pin	1.5A	30V

## M8 A-Code Cable Assembly (Metal Nut) Straight, IPX7 (Mated)



### Features and Benefits

- **Male Connector, Male Pin**
- Fully shielded for high noise immunity
- IEC compliant M8 cable assemblies with threaded couplers
- Small, compact design for miniature sensors and space sensitive applications
- Wide selection of cables to fit applications

Part Number	Contact	Current	Voltage
ESEAM03MCC-SLC7AXX	3Pin	3A	60V
ESEAM04MCC-SLC7AXX	4Pin	3A	60V

## M8 A-Code Cable Assembly (Plastic Nut)

### Product Specifications

#### General Data

Number of Positions	3/4/6/8P
Coding	A-Coding
Contact Housing	Nylon + GF
Screw Nut	Nylon + GF
Terminal	Copper Alloy, Gold Plated

#### Electrical Data

Current Rating	3/4P: 3A ; 6/8P: 1.5A
Voltage Rating	3/4P: 60V ; 6/8P: 30V
Contact Resistance	≤ 10mΩ
Withstanding Voltage	3/4P: AC 1000V/1 Minute 6/8P: AC 650V/1 Minute
Standard	IEC61076-2-104

#### Environmental Data

Mating Style	Screw Thread
Max Panel Thickness	2.5mm (Without Cap Chain)
Temperature Range	-40°C ~ +90°C
Salt Spray	48 hr.
Protection Class	IPX7 (Unmated)
Durability	100 Times

### How to Order

EPEA X XX X XX - SXC7XXX

**Connector Gender**  
F - Female  
M - Male

**Number of Contacts**  
03, 04, 06, 08

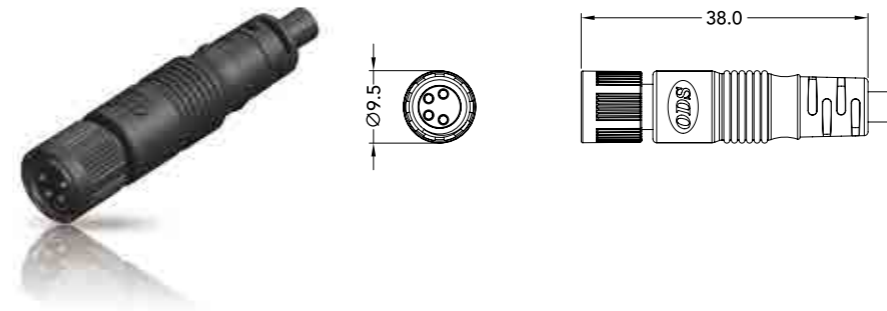
**Contact Type**  
F - Female  
M - Male

**Current Rating**  
AA - 1.5A (6/8P)  
CC - 3A (3/4P)

**Back Shell**  
L- Straight (180°)  
R- Right Angle (90°) Type1  
A- Right Angle (90°) Type2

**Cable Type / Length (m)**  
A01~A99  
B01~B99

## M8 A-Code Cable Assembly (Plastic Nut) Straight, IPX7 (Mated)



#### Features and Benefits

- Female Connector, Female Pin
- IEC compliant M8 cable assemblies with threaded couplers
- Small, compact design for miniature sensors and space sensitive applications
- Wide selection of cables to fit applications

Part Number	Contact	Current	Voltage
EPEAF03FCC-SLC7AXX	3Pin	3A	60V
EPEAF04FCC-SLC7AXX	4Pin	3A	60V

Part Number	Contact	Current	Voltage
EPEAF06FAA-SLC7AXX	6Pin	1.5A	30V
EPEAF08FAA-SLC7AXX	8Pin	1.5A	30V

## M8 A-Code Cable Assembly (Plastic Nut) Angled, IPX7 (Mated)



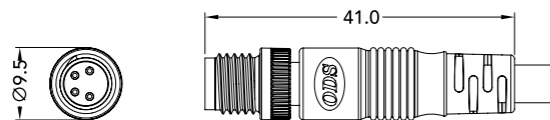
#### Features and Benefits

- Female Connector, Female Pin
- IEC compliant M8 cable assemblies with threaded couplers
- Small, compact design for miniature sensors and space sensitive applications
- Wide selection of cables to fit applications

Part Number	Contact	Current	Voltage
EPEAF03FCC-SRC7AXX	3Pin	3A	60V
EPEAF04FCC-SRC7AXX	4Pin	3A	60V
EPEAF06FAA-SRC7AXX	6Pin	1.5A	30V
EPEAF08FAA-SRC7AXX	8Pin	1.5A	30V

Part Number	Contact	Current	Voltage
EPEAF03FCC-SAC7AXX	3Pin	3A	60V
EPEAF04FCC-SAC7AXX	4Pin	3A	60V
EPEAF06FAA-SAC7AXX	6Pin	1.5A	30V
EPEAF08FAA-SAC7AXX	8Pin	1.5A	30V

## M8 A-Code Cable Assembly (Plastic Nut) Straight, IPX7 (Mated)



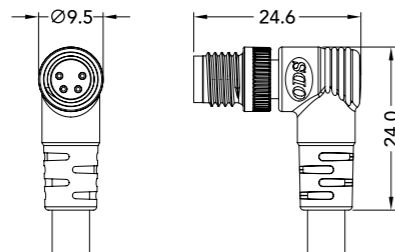
### Features and Benefits

- **Male Connector, Male Pin**
- IEC compliant M8 cable assemblies with threaded couplers
- Small, compact design for miniature sensors and space sensitive applications
- Wide selection of cables to fit applications

Part Number	Contact	Current	Voltage
EPEAM03MCC-SLC7AXX	3Pin	3A	60V
EPEAM04MCC-SLC7AXX	4Pin	3A	60V

Part Number	Contact	Current	Voltage
EPEAM06MAA-SLC7AXX	6Pin	1.5A	30V
EPEAM08MAA-SLC7AXX	8Pin	1.5A	30V

## M8 A-Code Cable Assembly (Plastic Nut) Angled, IPX7 (Mated)



### Features and Benefits

- **Male Connector, Male Pin**
- IEC compliant M8 cable assemblies with threaded couplers
- Small, compact design for miniature sensors and space sensitive applications
- Wide selection of cables to fit applications

Part Number	Contact	Current	Voltage
EPEAM03MCC-SRC7AXX	3Pin	3A	60V
EPEAM04MCC-SRC7AXX	4Pin	3A	60V
EPEAM06MAA-SRC7AXX	6Pin	1.5A	30V
EPEAM08MAA-SRC7AXX	8Pin	1.5A	30V

Part Number	Contact	Current	Voltage
EPEAM03MCC-SAC7AXX	3Pin	3A	60V
EPEAM04MCC-SAC7AXX	4Pin	3A	60V
EPEAM06MAA-SAC7AXX	6Pin	1.5A	30V
EPEAM08MAA-SAC7AXX	8Pin	1.5A	30V

## M8 B-Code Receptacle (Metal)

### Product Specifications

#### General Data

Number of Positions	5P
Coding	B-Coding
Contact Housing	Nylon + GF
Shell / Screw Nut	Copper Alloy, Nickel Plated
Terminal	Copper Alloy, Gold Plated

#### Environmental Data

Mating Style	Screw Thread
Max Panel Thickness	2.5mm (Without Cap Chain)
Temperature Range	-40°C ~ +90°C
Salt Spray	48 hr.
Protection Class	IPX7 (Unmated)
Durability	100 Times

#### Electrical Data

Current Rating	3A
Voltage Rating	30V
Contact Resistance	≤ 10mΩ
Insulation Resistance	≥ 100MΩ at DC 500V
Withstanding Voltage	AC 650V/1 Minute
Standard	IEC 61076-2-104

### How to Order

MME X X 05 X CC - SHX7XXX

**Style**  
P - Front Fastened  
R - Rear Fastened

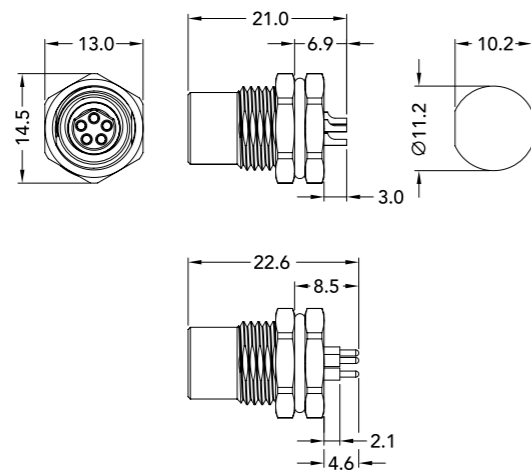
**Connector Gender**  
F - Female  
M - Male

**Contact Type**  
F - Female  
M - Male

**Assembly Style**  
S - Solder Type  
P - PCB Type

Serial Number

### M8 B-Code Receptacle (Metal) Front Fastened, IPX7

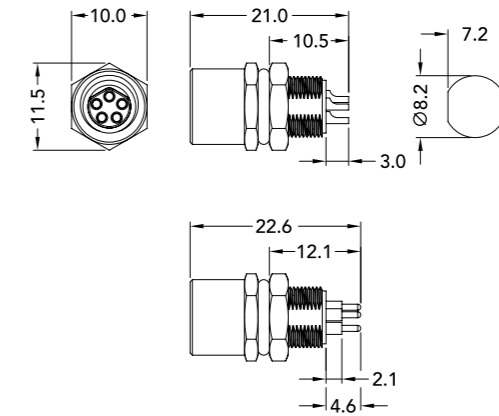


#### Features and Benefits

- **Female Connector, Female Pin**
- Shielded for high noise immunity
- IEC compliant M8 panel mount receptacles
- Fully potted assemblies provide IPX7 protection for harsh environments

Part Number	Contact	Current	Voltage	Ass'y Type
MMEPF05FCC-SHS7001	5Pin	3A	30V	Solder
MMEPF05FCC-SHP7001	5Pin	3A	30V	PCB Straight

### M8 B-Code Receptacle (Metal) Rear Fastened, IPX7

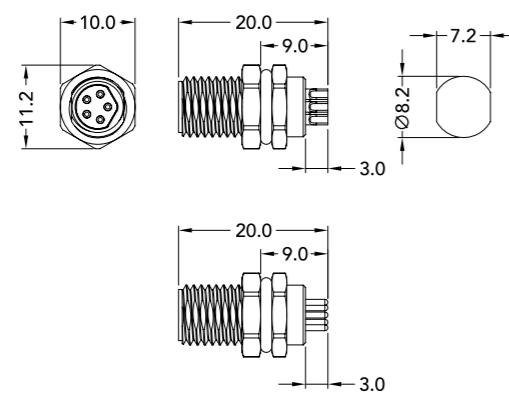


#### Features and Benefits

- **Female Connector, Female Pin**
- Shielded for high noise immunity
- IEC compliant M8 panel mount receptacles
- Fully potted assemblies provide IPX7 protection for harsh environments

Part Number	Contact	Current	Voltage	Ass'y Type
MMERF05FCC-SHS7001	5Pin	3A	30V	Solder
MMERF05FCC-SHP7001	5Pin	3A	30V	PCB Straight

### M8 B-Code Receptacle (Metal) Front Fastened, IPX7

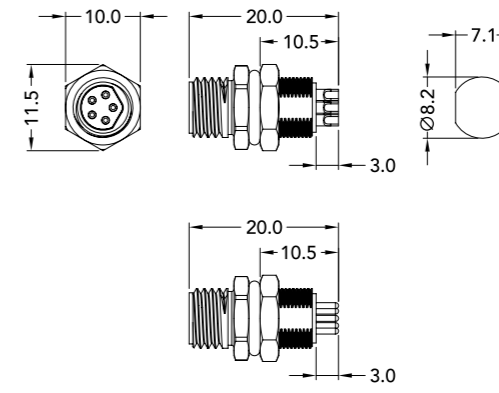


#### Features and Benefits

- **Male Connector, Male Pin**
- Shielded for high noise immunity
- IEC compliant M8 panel mount receptacles
- Fully potted assemblies provide IPX7 protection for harsh environments

Part Number	Contact	Current	Voltage	Ass'y Type
MMEPM05MCC-SHS7001	5Pin	3A	30V	Solder
MMEPM05MCC-SHP7001	5Pin	3A	30V	PCB Straight

### M8 B-Code Receptacle (Metal) Rear Fastened, IPX7

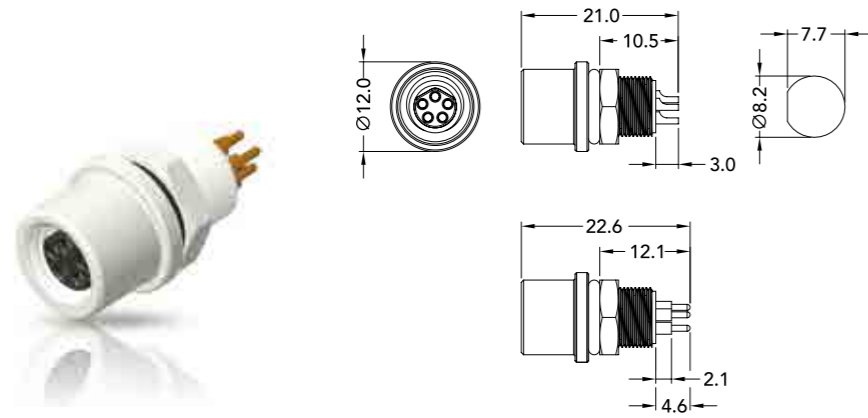


#### Features and Benefits

- **Male Connector, Male Pin**
- Shielded for high noise immunity
- IEC compliant M8 panel mount receptacles
- Fully potted assemblies provide IPX7 protection for harsh environments

Part Number	Contact	Current	Voltage	Ass'y Type
MMERM05MCC-SHS7001	5Pin	3A	30V	Solder
MMERM05MCC-SHP7001	5Pin	3A	30V	PCB Straight

## M8 B-Code Receptacle (Metal) Rear Fastened, IPX7

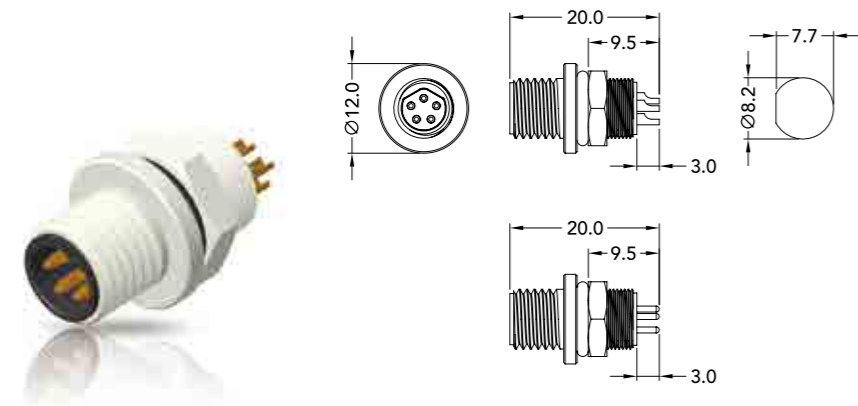


### Features and Benefits

- **Female Connector, Female Pin**
- Shielded for high noise immunity
- IEC compliant M8 panel mount receptacles
- Fully potted assemblies provide IPX7 protection for harsh environments

Part Number	Contact	Current	Voltage	Ass'y Type
MMERF05FCC-SCS7001	5Pin	3A	30V	Solder
MMERF05FCC-SCP7001	5Pin	3A	30V	PCB Straight

## M8 B-Code Receptacle (Metal) Rear Fastened, IPX7



### Features and Benefits

- **Male Connector, Male Pin**
- Shielded for high noise immunity
- IEC compliant M8 panel mount receptacles
- Fully potted assemblies provide IPX7 protection for harsh environments

Part Number	Contact	Current	Voltage	Ass'y Type
MMERM05MCC-SCS7001	5Pin	3A	30V	Solder
MMERM05MCC-SCP7001	5Pin	3A	30V	PCB Straight

## M8 B-Code Receptacle (Plastic)

### Product Specifications

#### General Data

Number of Positions	5P
Coding	B-Coding
Contact Housing	Nylon + GF
Shell / Screw Nut	Nylon + GF
Terminal	Copper Alloy, Gold Plated

#### Environmental Data

Mating Style	Screw Thread
Max Panel Thickness	2.5mm (Without Cap Chain)
Temperature Range	-40°C ~ +90°C
Salt Spray	48 hr.
Protection Class	IPX7 (Unmated)
Durability	100 Times

#### Electrical Data

Current Rating	3A
Voltage Rating	30V
Contact Resistance	≤ 10mΩ
Insulation Resistance	≥ 100MΩ at DC 500V
Withstanding Voltage	AC 650V/1 Minute
Standard	IEC 61076-2-104

### How to Order

MPE X X 05 X CC - SHX7XXX

**Style**  
P - Front Fastened  
R - Rear Fastened

**Connector Gender**  
F - Female  
M - Male

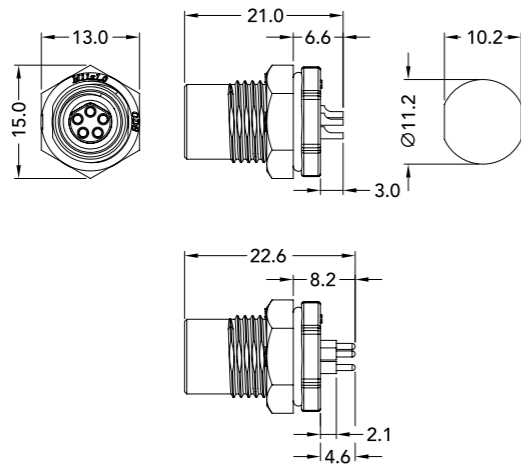
**Contact Type**  
F - Female  
M - Male

**Assembly Style**  
S - Solder Type  
P - PCB Type

Serial Number



## M8 B-Code Receptacle (Plastic) Front Fastened, IPX7

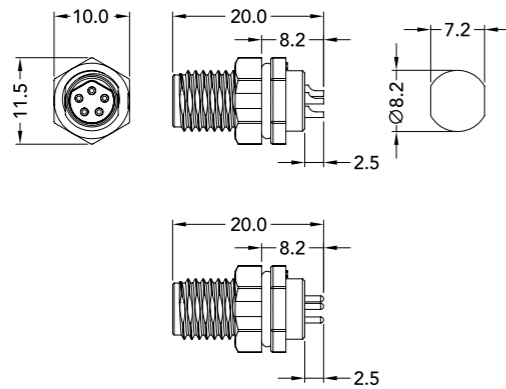


### Features and Benefits

- Female Connector, Female Pin
- IEC compliant M8 panel mount receptacles
- Fully potted assemblies provide IPX7 protection for harsh environments

Part Number	Contact	Current	Voltage	Ass'y Type
MPEPF05FCC-SHS7001	5Pin	3A	30V	Solder
MPEPF05FCC-SHP7001	5Pin	3A	30V	PCB Straight

## M8 B-Code Receptacle (Plastic) Front Fastened, IPX7



### Features and Benefits

- Male Connector, Male Pin
- IEC compliant M8 panel mount receptacles
- Fully potted assemblies provide IPX7 protection for harsh environments

Part Number	Contact	Current	Voltage	Ass'y Type
MPEPM05MCC-SHS7001	5Pin	3A	30V	Solder
MPEPM05MCC-SHP7001	5Pin	3A	30V	PCB Straight

## M8 B-Code Cable Assembly (Metal Nut)

### Product Specifications

#### General Data

Number of Positions	5P
Coding	B-Coding
Contact Housing	Nylon + GF
Screw Nut	Copper Alloy, Nickel Plated
Terminal	Copper Alloy, Gold Plated

#### Environmental Data

Mating Style	Screw Thread
Temperature Range	-20°C ~ +80°C
Salt Spray	48 hr.
Protection Class	IPX7 (Mated)
Durability	100 Times
Assemble Type	Cable End Cut

#### Electrical Data

Current Rating	3A
Voltage Rating	30V
Contact Resistance	≤ 10mΩ
Withstanding Voltage	AC 650V/1 Minute
Standard	IEC61076-2-104

### How to Order

EAEA X 05 X CC - SXC7XXX

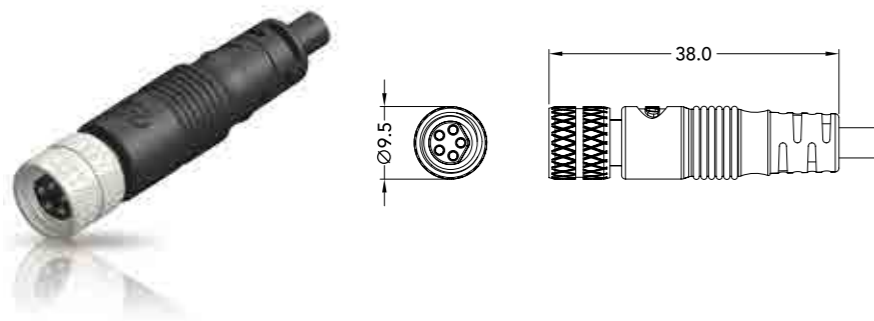
Connector Gender  
F - Female  
M - Male

Contact Type  
F - Female  
M - Male

Back Shell  
L- Straight(180°)  
R- Right Angle (90°) Type1  
A- Right Angle (90°) Type2

Cable Type / Length (m)  
A01~A99  
B01~B99

### M8 B-Code Cable Assembly (Metal Nut) Straight, IPX7 (Mated)

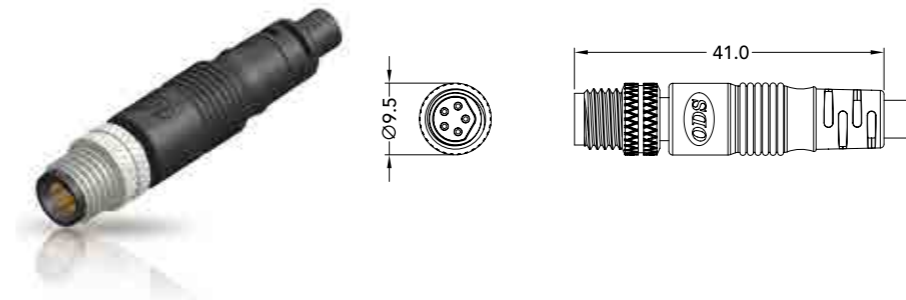


#### Features and Benefits

- **Female Connector, Female Pin**
- IEC compliant M8 cable assemblies with threaded couplers
- Small, compact design for miniature sensors and space sensitive applications
- Wide selection of cables to fit applications

Part Number	Contact	Current	Voltage
EAEAF05FCC-SLC7AXX	5Pin	3A	30V

### M8 B-Code Cable Assembly (Metal Nut) Straight, IPX7 (Mated)



#### Features and Benefits

- **Male Connector, Male Pin**
- IEC compliant M8 cable assemblies with threaded couplers
- Small, compact design for miniature sensors and space sensitive applications
- Wide selection of cables to fit applications

Part Number	Contact	Current	Voltage
EAEAM05MCC-SLC7AXX	5Pin	3A	30V

### M8 B-Code Cable Assembly (Metal Nut) Angled, IPX7 (Mated)



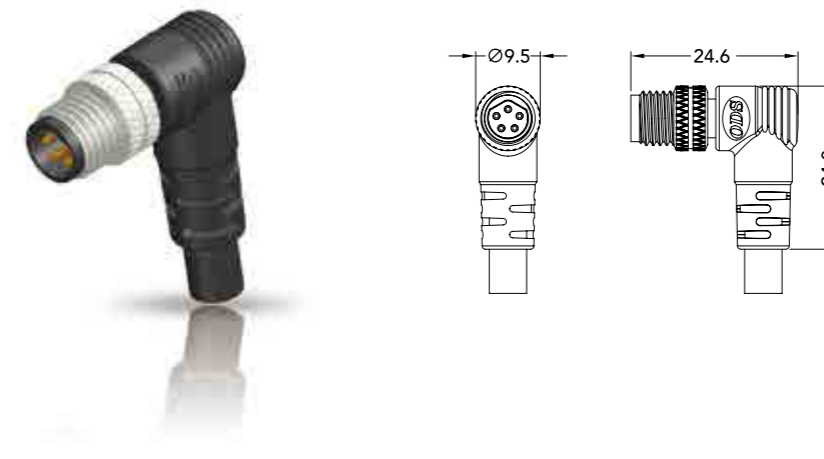
#### Features and Benefits

- **Female Connector, Female Pin**
- IEC compliant M8 cable assemblies with threaded couplers
- Small, compact design for miniature sensors and space sensitive applications
- Wide selection of cables to fit applications

Part Number	Contact	Current	Voltage
EAEAF05FCC-SRC7AXX	5Pin	3A	30V

Part Number	Contact	Current	Voltage
EAEAF05FCC-SAC7AXX	5Pin	3A	30V

### M8 B-Code Cable Assembly (Metal Nut) Angled, IPX7 (Mated)



#### Features and Benefits

- **Male Connector, Male Pin**
- IEC compliant M8 cable assemblies with threaded couplers
- Small, compact design for miniature sensors and space sensitive applications
- Wide selection of cables to fit applications

Part Number	Contact	Current	Voltage
EAEAM05MCC-SRC7AXX	5Pin	3A	30V

Part Number	Contact	Current	Voltage
EAEAM05MCC-SAC7AXX	5Pin	3A	30V

## M8 B-Code Cable Assembly (Plastic Nut)

### Product Specifications

#### General Data

Number of Positions	5P
Coding	B-Coding
Contact Housing	Nylon + GF
Screw Nut	Nylon + GF
Terminal	Copper Alloy, Gold Plated

#### Electrical Data

Current Rating	3A
Voltage Rating	30V
Contact Resistance	≤ 10mΩ
Withstanding Voltage	AC 650V/1 Minute
Standard	IEC61076-2-104

#### Environmental Data

Mating Style	Screw Thread
Temperature Range	-20°C ~ +80°C
Salt Spray	48 hr.
Protection Class	IPX7 (Mated)
Durability	100 Times
Assemble Type	Cable End Cut

### How to Order

EPEA X 05 X CC - SXC7XXX

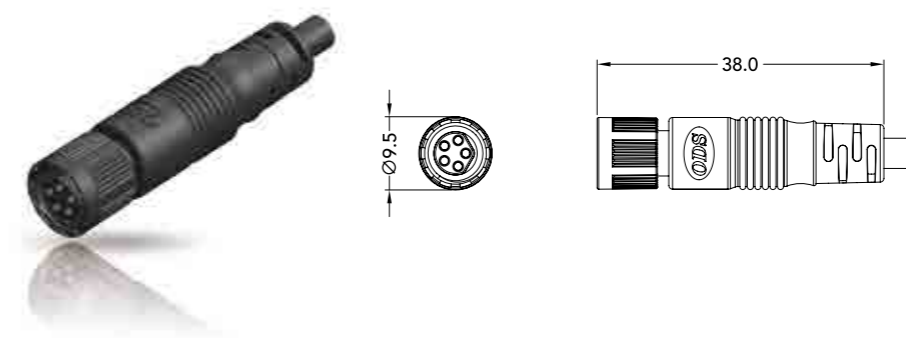
**Connector Gender**  
F - Female  
M - Male

**Contact Type**  
F - Female  
M - Male

**Back Shell**  
L- Straight(180°)  
R- Right Angle (90°) Type1  
A- Right Angle (90°) Type2

**Cable Type / Length (m)**  
A01~A99  
B01~B99

## M8 B-Code Cable Assembly (Plastic Nut) Straight, IPX7 (Mated)



#### Features and Benefits

- Female Connector, Female Pin
- IEC compliant M8 panel mount receptacles
- Fully potted assemblies provide IPX7 protection for harsh environments

Part Number	Contact	Current	Voltage
EPEAF05FCC-SLC7AXX	5Pin	3A	30V

## M8 B-Code Cable Assembly (Plastic Nut) Angled, IPX7 (Mated)



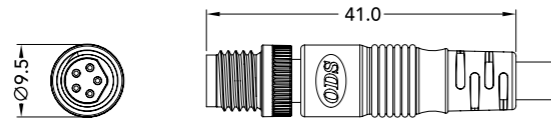
#### Features and Benefits

- Female Connector, Female Pin
- IEC compliant M8 panel mount receptacles
- Fully potted assemblies provide IPX7 protection for harsh environments

Part Number	Contact	Current	Voltage
EPEAF05FCC-SRC7AXX	5Pin	3A	30V

Part Number	Contact	Current	Voltage
EPEAF05FCC-SAC7AXX	5Pin	3A	30V

## M8 B-Code Cable Assembly (Plastic Nut) Straight, IPX7 (Mated)

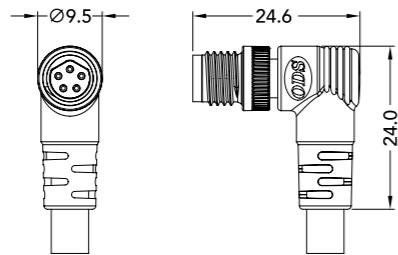


### Features and Benefits

- **Male Connector, Male Pin**
- IEC compliant M8 cable assemblies with threaded couplers
- Small, compact design for miniature sensors and space sensitive applications
- Wide selection of cables to fit applications

Part Number	Contact	Current	Voltage
EPEAM05MCC-SLC7AXX	5Pin	3A	30V

## M8 B-Code Cable Assembly (Plastic Nut) Angled, IPX7 (Mated)



### Features and Benefits

- **Male Connector, Male Pin**
- IEC compliant M8 cable assemblies with threaded couplers
- Small, compact design for miniature sensors and space sensitive applications
- Wide selection of cables to fit applications

Part Number	Contact	Current	Voltage
EPEAM05MCC-SRC7AXX	5Pin	3A	30V

Part Number	Contact	Current	Voltage
EPEAM05MCC-SAC7AXX	5Pin	3A	30V

## M8 Function Key Receptacle (Metal)

### Product Specifications

#### General Data

Number of Positions	3P, 4P
Coding	Function Key
Contact Housing	Nylon + GF
Shell / Screw Nut	Copper Alloy, Nickel Plated
Terminal	Copper Alloy, Gold Plated

#### Environmental Data

Mating Style	Screw Thread
Max Panel Thickness	2.5mm (Without Cap Chain)
Temperature Range	-40°C ~ +90°C
Salt Spray	48 hr.
Protection Class	IPX7 (Unmated)
Durability	100 Times

#### Electrical Data

Current Rating	3/4P: 3A
Voltage Rating	3/4P: 60V
Contact Resistance	≤ 10mΩ
Insulation Resistance	≥ 100MΩ at DC 500V
Withstanding Voltage	3/4P: AC 1000V/1 Minute
Standard	N/A

### How to Order

MM F X X XX X CC - SHX7XXX

**Coding**  
F - Function Code (w/ key)

**Style**  
P - Front Fastened  
R - Rear Fastened

**Connector Gender**  
F - Female  
M - Male

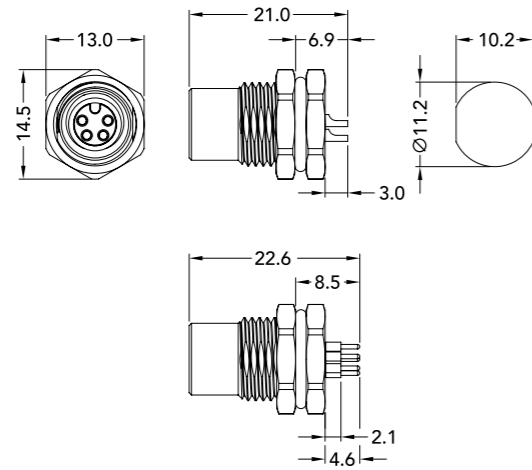
**Number of Contacts**  
03, 04

**Contact Type**  
F - Female  
M - Male

**Assembly Style**  
S - Solder Type  
P - PCB Type

**Serial Number**

### M8 Function Key Receptacle (Metal) Front Fastened, IPX7

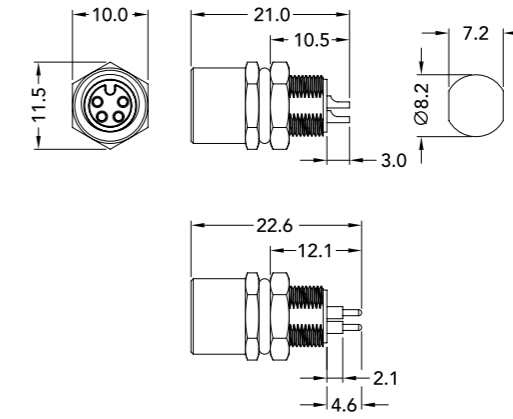


#### Features and Benefits

- Female Connector, Female Pin
- Shielded for high noise immunity
- Function-keyed M8 panel mount receptacles
- Fully potted assemblies provide IPX7 protection for harsh environments

Part Number	Contact	Current	Voltage	Ass'y Type	Part Number	Contact	Current	Voltage	Ass'y Type
MMFPF03FCC-SHS7001	3Pin	3A	60V	Solder	MMFPF03FCC-SHP7001	3Pin	3A	60V	PCB Straight
MMFPF04FCC-SHS7001	4Pin	3A	60V	Solder	MMFPF04FCC-SHP7001	4Pin	3A	60V	PCB Straight

### M8 Function Key Receptacle (Metal) Rear Fastened, IPX7

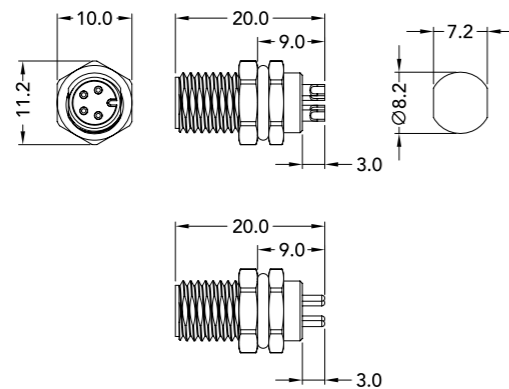


#### Features and Benefits

- Female Connector, Female Pin
- Shielded for high noise immunity
- Function-keyed M8 panel mount receptacles
- Fully potted assemblies provide IPX7 protection for harsh environments

Part Number	Contact	Current	Voltage	Ass'y Type	Part Number	Contact	Current	Voltage	Ass'y Type
MMFRF03FCC-SHS7001	3Pin	3A	60V	Solder	MMFRF03FCC-SHP7001	3Pin	3A	60V	PCB Straight
MMFRF04FCC-SHS7001	4Pin	3A	60V	Solder	MMFRF04FCC-SHP7001	4Pin	3A	60V	PCB Straight

### M8 Function Key Receptacle (Metal) Front Fastened, IPX7

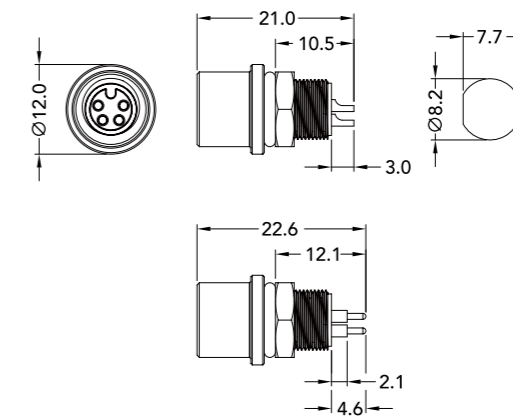


#### Features and Benefits

- Male Connector, Male Pin
- Shielded for high noise immunity
- Function-keyed M8 panel mount receptacles
- Fully potted assemblies provide IPX7 protection for harsh environments

Part Number	Contact	Current	Voltage	Ass'y Type	Part Number	Contact	Current	Voltage	Ass'y Type
MMFPM03MCC-SHS7001	3Pin	3A	60V	Solder	MMFPM03MCC-SHP7001	3Pin	3A	60V	PCB Straight
MMFPM04MCC-SHS7001	4Pin	3A	60V	Solder	MMFPM04MCC-SHP7001	4Pin	3A	60V	PCB Straight

### M8 Function Key Receptacle (Metal) Rear Fastened, IPX7

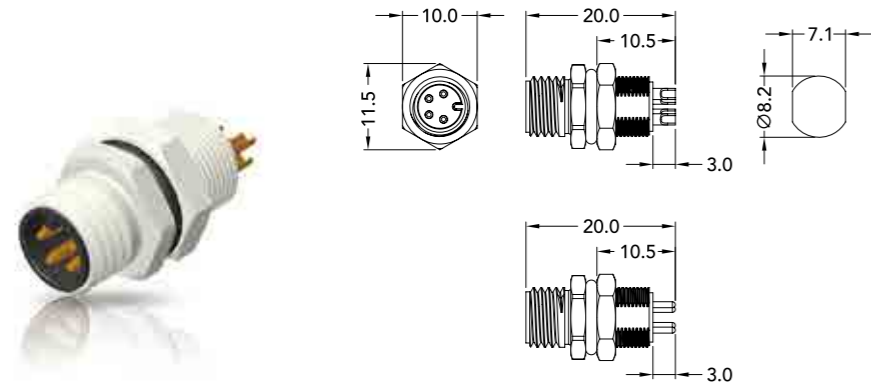


#### Features and Benefits

- Female Connector, Female Pin
- Shielded for high noise immunity
- Function-keyed M8 panel mount receptacles
- Fully potted assemblies provide IPX7 protection for harsh environments

Part Number	Contact	Current	Voltage	Ass'y Type	Part Number	Contact	Current	Voltage	Ass'y Type
MMFRF03FCC-SCS7001	3Pin	3A	60V	Solder	MMFRF03FCC-SCP7001	3Pin	3A	60V	PCB Straight
MMFRF04FCC-SCS7001	4Pin	3A	60V	Solder	MMFRF04FCC-SCP7001	4Pin	3A	60V	PCB Straight

## M8 Function Key Receptacle (Metal) Rear Fastened, IPX7

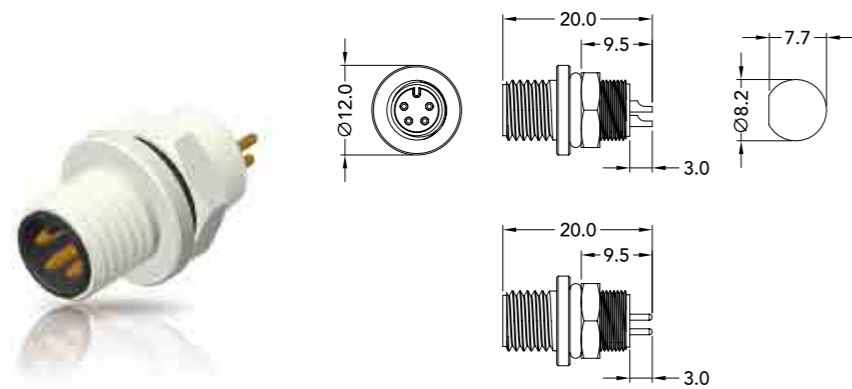


### Features and Benefits

- Male Connector, Male Pin
- Shielded for high noise immunity
- Function-keyed M8 panel mount receptacles
- Fully potted assemblies provide IPX7 protection for harsh environments

Part Number	Contact	Current	Voltage	Ass'y Type	Part Number	Contact	Current	Voltage	Ass'y Type
MMFRM03MCC-SHS7001	3Pin	3A	60V	Solder	MMFRM03MCC-SHP7001	3Pin	3A	60V	PCB Straight
MMFRM04MCC-SHS7001	4Pin	3A	60V	Solder	MMFRM04MCC-SHP7001	4Pin	3A	60V	PCB Straight

## M8 Function Key Receptacle (Metal) Rear Fastened, IPX7



### Features and Benefits

- Male Connector, Male Pin
- Shielded for high noise immunity
- Function-keyed M8 panel mount receptacles
- Fully potted assemblies provide IPX7 protection for harsh environments

Part Number	Contact	Current	Voltage	Ass'y Type	Part Number	Contact	Current	Voltage	Ass'y Type
MMFRM03MCC-SCS7001	3Pin	3A	60V	Solder	MMFRM03MCC-SCP7001	3Pin	3A	60V	PCB Straight
MMFRM04MCC-SCS7001	4Pin	3A	60V	Solder	MMFRM04MCC-SCP7001	4Pin	3A	60V	PCB Straight

## M8 Function Key Receptacle (Plastic)

### Product Specifications

#### General Data

Number of Positions	3P, 4P
Coding	Function Key
Contact Housing	Nylon + GF
Shell / Screw Nut	Nylon + GF
Terminal	Copper Alloy, Gold Plated

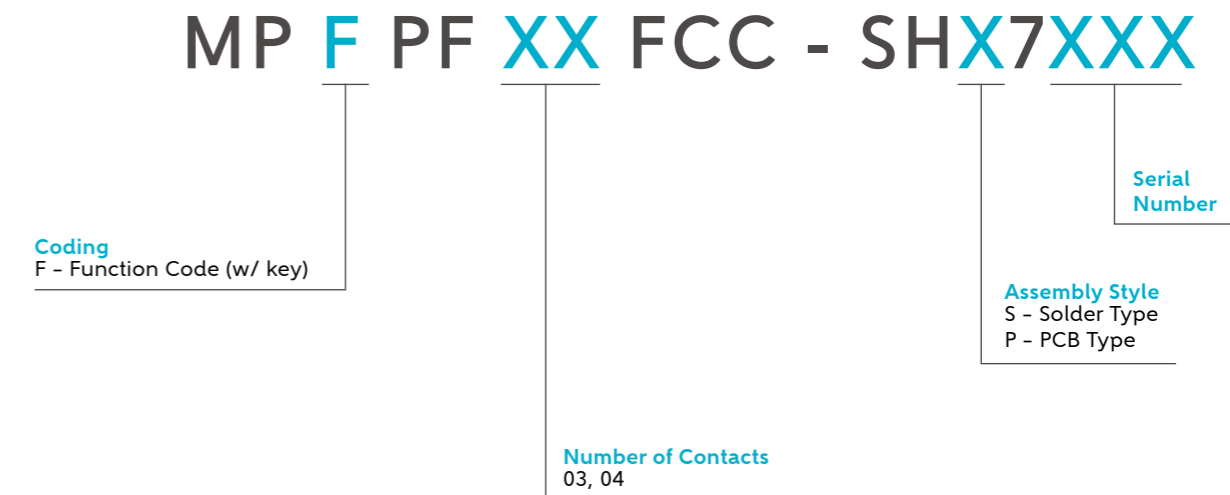
#### Environmental Data

Mating Style	Screw Thread
Max Panel Thickness	2.5mm (Without Cap Chain)
Temperature Range	-40°C ~ +90°C
Salt Spray	48 hr.
Protection Class	IPX7 (Unmated)
Durability	100 Times

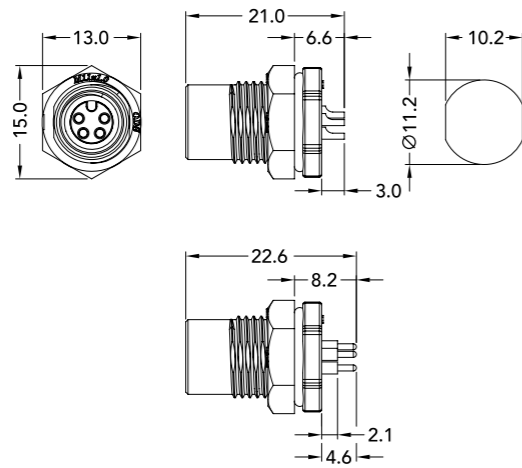
#### Electrical Data

Current Rating	3/4P: 3A
Voltage Rating	3/4P: 60V
Contact Resistance	≤ 10mΩ
Insulation Resistance	≥ 100MΩ at DC 500V
Withstanding Voltage	3/4P: AC 1000V/1 Minute
Standard	N/A

### How to Order



## M8 Function Key Receptacle (Plastic) Front Fastened, IPX7

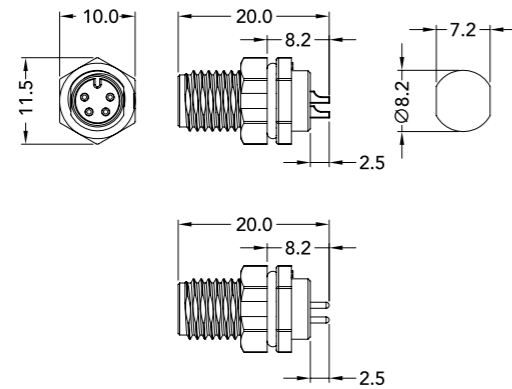


### Features and Benefits

- **Female Connector, Female Pin**
- Function-keyed M8 panel mount receptacles
- Fully potted assemblies provide IPX7 protection for harsh environments

Part Number	Contact	Current	Voltage	Ass'y Type	Part Number	Contact	Current	Voltage	Ass'y Type
MPFPF03FCC-SHS7001	3Pin	3A	60V	Solder	MPFPF03FCC-SHP7001	3Pin	3A	60V	PCB Straight
MPFPF04FCC-SHS7001	4Pin	3A	60V	Solder	MPFPF04FCC-SHP7001	4Pin	3A	60V	PCB Straight

## M8 Function Key Receptacle (Plastic) Front Fastened, IPX7



### Features and Benefits

- **Male Connector, Male Pin**
- Function-keyed M8 panel mount receptacles
- Fully potted assemblies provide IPX7 protection for harsh environments

Part Number	Contact	Current	Voltage	Ass'y Type	Part Number	Contact	Current	Voltage	Ass'y Type
MPFPM03MCC-SHS7001	3Pin	3A	60V	Solder	MPFPM03MCC-SHP7001	3Pin	3A	60V	PCB Straight
MPFPM04MCC-SHS7001	4Pin	3A	60V	Solder	MPFPM04MCC-SHP7001	4Pin	3A	60V	PCB Straight

## M8 Function Key Cable Assembly

### Product Specifications

#### General Data

Number of Positions	3P, 4P
Coding	Function Key
Contact Housing	Nylon + GF
Screw Nut	Copper Alloy, Nickel Plated
Terminal	Copper Alloy, Gold Plated

#### Environmental Data

Mating Style	Screw Thread
Temperature Range	-20°C ~ +80°C
Salt Spray	48 hr.
Protection Class	IPX7 (Mated)
Durability	100 Times
Assemble Type	Cable End Cut

#### Electrical Data

Current Rating	3/4P: 3A
Voltage Rating	3/4P: 60V
Contact Resistance	≤ 10mΩ
Withstanding Voltage	3/4P: AC 1000V/1 Minute
Standard	N/A

### How to Order

EX F A X XX X CC - SXC7XXX

#### Series

- EA - Plastic Housing Metal Nut
- EP - Plastic Housing Plastic Nut

#### Coding

F - Function Code (w/ key)

#### Connector Gender

- F - Female
- M - Male

#### Number of Contacts

03, 04

#### Cable Type / Length (m)

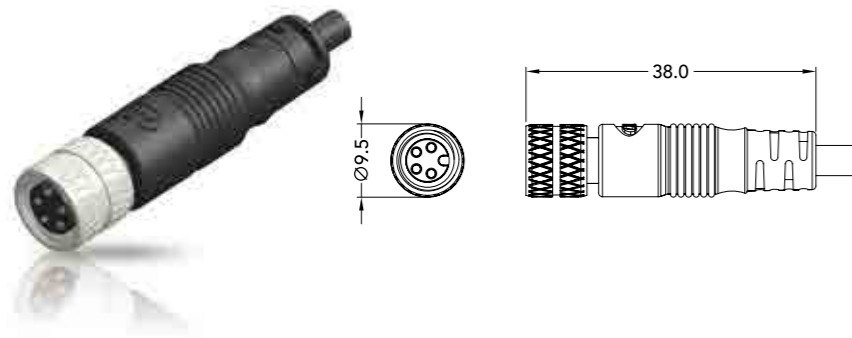
- A01~A99
- B01~B99

#### Back Shell

- L- Straight (180°)
- R- Right Angle (90°) Type1
- A- Right Angle (90°) Type2

## M8 Function Key Cable Assembly (Metal Nut)

Straight, IPX7 (Mated)



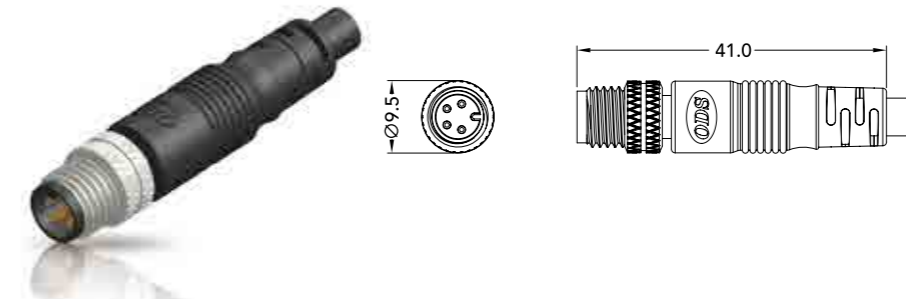
### Features and Benefits

- **Female Connector, Female Pin**
- Function-keyed M8 cable assemblies with threaded couplers
- Small, compact design for miniature sensors and space sensitive applications
- Wide selection of cables to fit applications

Part Number	Contact	Current	Voltage
EAFAF03FCC-SLC7AXX	3Pin	3A	60V
EAFAF04FCC-SLC7AXX	4Pin	3A	60V

## M8 Function Key Cable Assembly (Metal Nut)

Straight, IPX7 (Mated)



### Features and Benefits

- **Male Connector, Male Pin**
- Function-keyed M8 cable assemblies with threaded couplers
- Small, compact design for miniature sensors and space sensitive applications
- Wide selection of cables to fit applications

Part Number	Contact	Current	Voltage
EAFAM03MCC-SLC7AXX	3Pin	3A	60V
EAFAM04MCC-SLC7AXX	4Pin	3A	60V

## M8 Function Key Cable Assembly (Metal Nut)

Angled, IPX7 (Mated)



### Features and Benefits

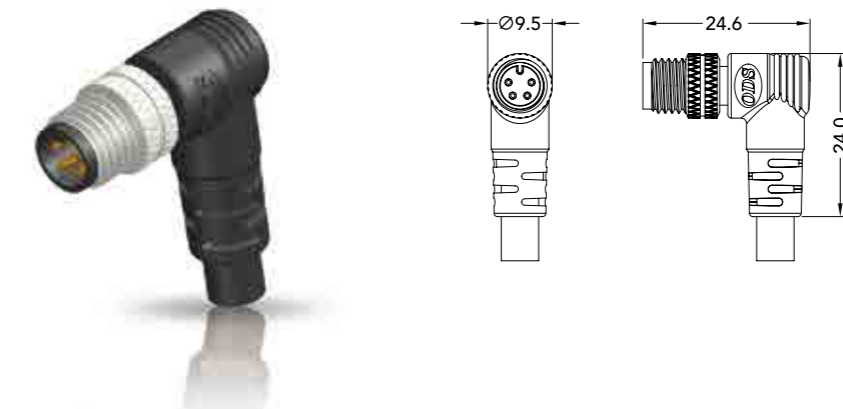
- **Female Connector, Female Pin**
- Function-keyed M8 cable assemblies with threaded couplers
- Small, compact design for miniature sensors and space sensitive applications
- Wide selection of cables to fit applications

Part Number	Contact	Current	Voltage
EAFAF03FCC-SRC7AXX	3Pin	3A	60V
EAFAF04FCC-SRC7AXX	4Pin	3A	60V

Part Number	Contact	Current	Voltage
EAFAF03FCC-SAC7AXX	3Pin	3A	60V
EAFAF04FCC-SAC7AXX	4Pin	3A	60V

## M8 Function Key Cable Assembly (Metal Nut)

Angled, IPX7 (Mated)



### Features and Benefits

- **Male Connector, Male Pin**
- Function-keyed M8 cable assemblies with threaded couplers
- Small, compact design for miniature sensors and space sensitive applications
- Wide selection of cables to fit applications

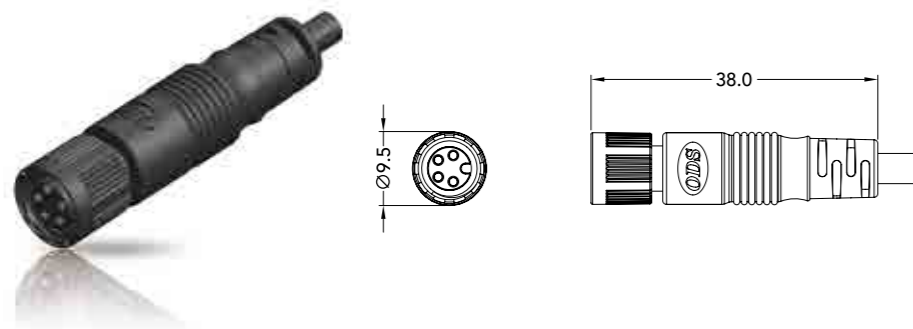
Part Number	Contact	Current	Voltage
EAFAM03MCC-SRC7AXX	3Pin	3A	60V
EAFAM04MCC-SRC7AXX	4Pin	3A	60V

Part Number	Contact	Current	Voltage
EAFAM03MCC-SAC7AXX	3Pin	3A	60V
EAFAM04MCC-SAC7AXX	4Pin	3A	60V



## M8 Function Key Cable Assembly (Plastic Nut)

Straight, IPX7 (Mated)



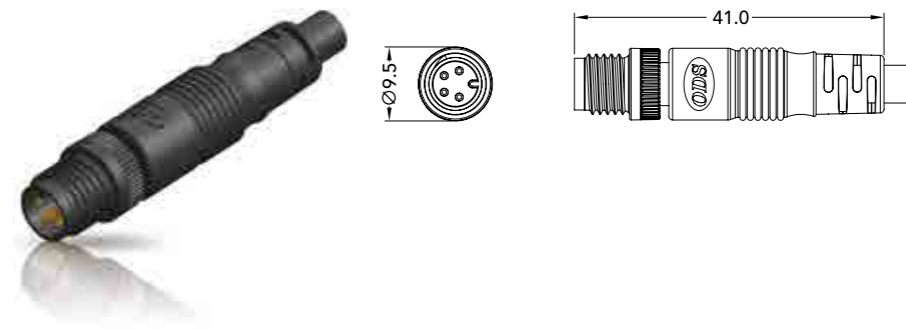
### Features and Benefits

- **Female Connector, Female Pin**
- Function-keyed M8 cable assemblies with threaded couplers
- Small, compact design for miniature sensors and space sensitive applications
- Wide selection of cables to fit applications

Part Number	Contact	Current	Voltage
EPFAF03FCC-SLC7AXX	3Pin	3A	60V
EPFAF04FCC-SLC7AXX	4Pin	3A	60V

## M8 Function Key Cable Assembly (Plastic Nut)

Straight, IPX7 (Mated)



### Features and Benefits

- **Male Connector, Male Pin**
- Function-keyed M8 cable assemblies with threaded couplers
- Small, compact design for miniature sensors and space sensitive applications
- Wide selection of cables to fit applications

Part Number	Contact	Current	Voltage
EPFAM03MCC-SLC7AXX	3Pin	3A	60V
EPFAM04MCC-SLC7AXX	4Pin	3A	60V

## M8 Function Key Cable Assembly (Plastic Nut)

Angled, IPX7 (Mated)



### Features and Benefits

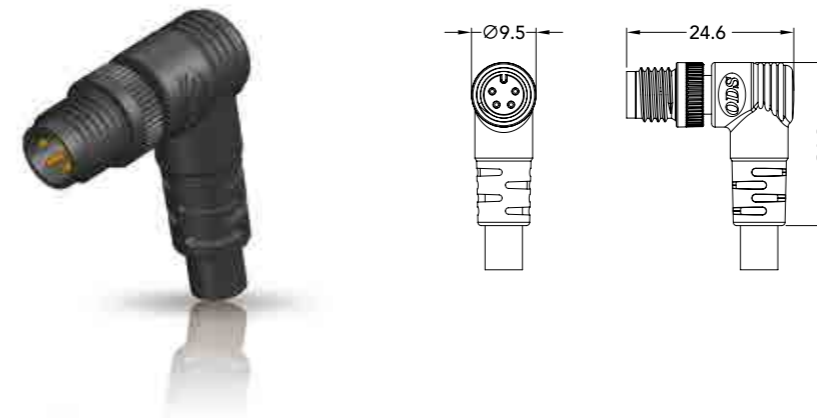
- **Female Connector, Female Pin**
- Function-keyed M8 cable assemblies with threaded couplers
- Small, compact design for miniature sensors and space sensitive applications
- Wide selection of cables to fit applications

Part Number	Contact	Current	Voltage
EPFAF03FCC-SRC7AXX	3Pin	3A	60V
EPFAF04FCC-SRC7AXX	4Pin	3A	60V

Part Number	Contact	Current	Voltage
EPFAF03FCC-SAC7AXX	3Pin	3A	60V
EPFAF04FCC-SAC7AXX	4Pin	3A	60V

## M8 Function Key Cable Assembly (Plastic Nut)

Angled, IPX7 (Mated)



### Features and Benefits

- **Male Connector, Male Pin**
- Function-keyed M8 cable assemblies with threaded couplers
- Small, compact design for miniature sensors and space sensitive applications
- Wide selection of cables to fit applications

Part Number	Contact	Current	Voltage
EPFAM03MCC-SRC7AXX	3Pin	3A	60V
EPFAM04MCC-SRC7AXX	4Pin	3A	60V

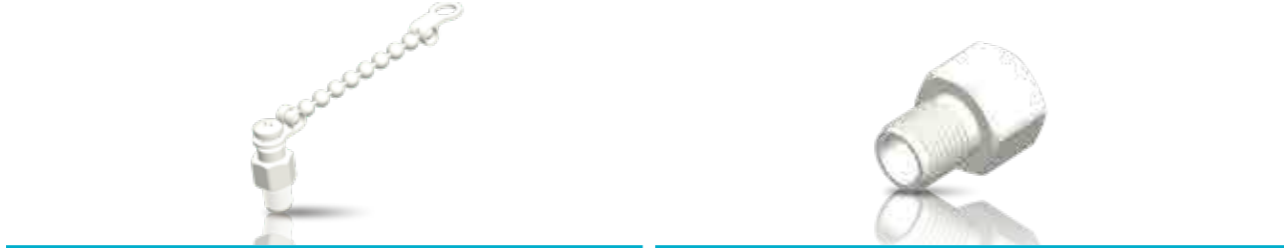
Part Number	Contact	Current	Voltage
EPFAM03MCC-SAC7AXX	3Pin	3A	60V
EPFAM04MCC-SAC7AXX	4Pin	3A	60V

## M5/M8/M12 Accessory Cap IPX7 (Mated)

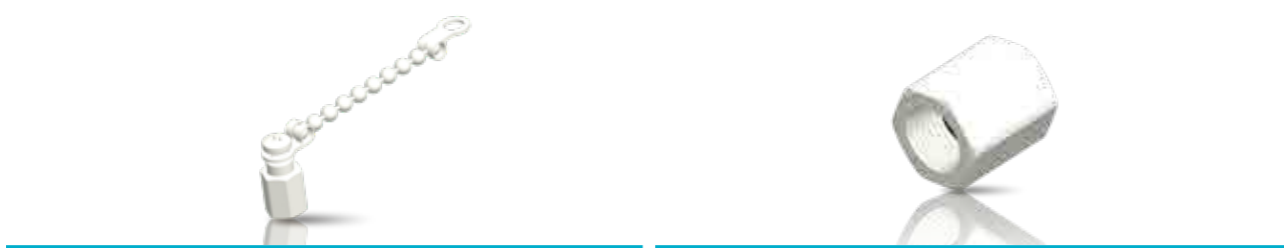
### Features and Benefits

- One sealing surface means less likelihood of failure
- Maintains IPX7 rating for functional integrity when connector is not mated
- IPX7 rating ensures cable assemblies are water and dust tight for functional integrity

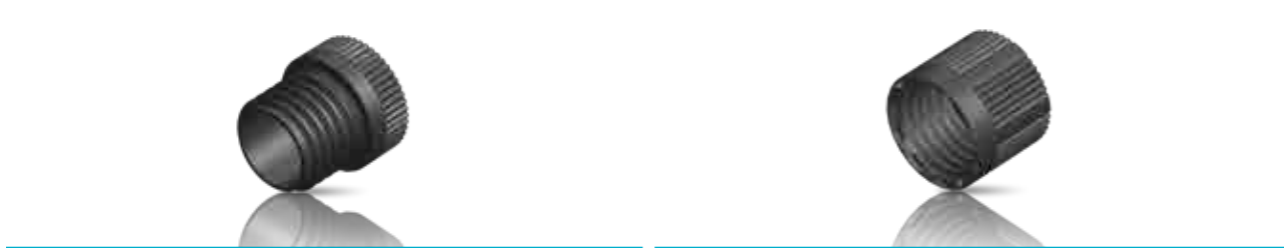
Part Number	Series	Description	Part Number	Series	Description
-------------	--------	-------------	-------------	--------	-------------



Part Number	Series	Description	Part Number	Series	Description
-------------	--------	-------------	-------------	--------	-------------



Part Number	Series	Description	Part Number	Series	Description
-------------	--------	-------------	-------------	--------	-------------



Part Number	Series	Description	Part Number	Series	Description
-------------	--------	-------------	-------------	--------	-------------

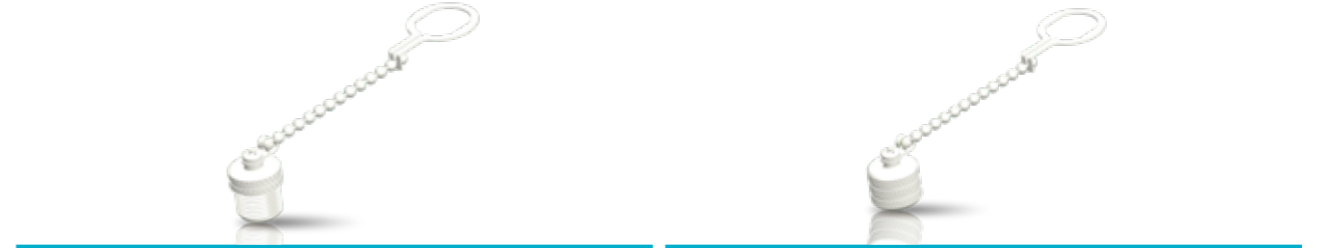


## M5/M8/M12 Accessory Cap IPX7 (Mated)

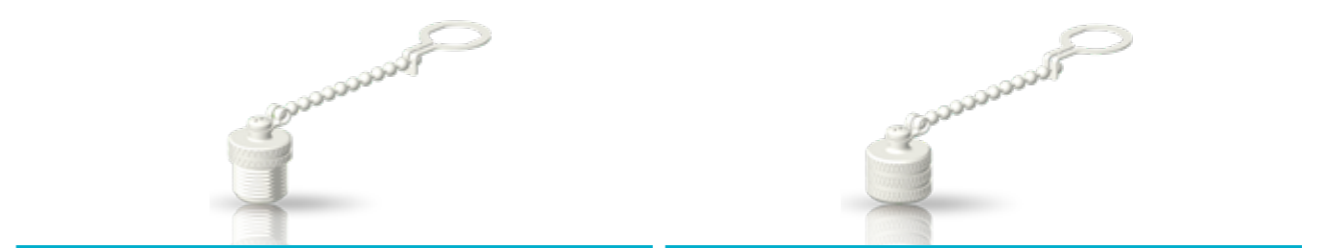
Part Number	Series	Description	Part Number	Series	Description
-------------	--------	-------------	-------------	--------	-------------



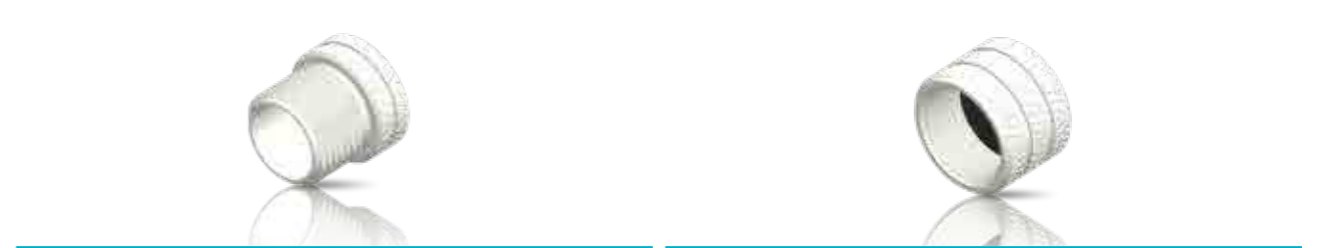
Part Number	Series	Description	Part Number	Series	Description
-------------	--------	-------------	-------------	--------	-------------



Part Number	Series	Description	Part Number	Series	Description
-------------	--------	-------------	-------------	--------	-------------



Part Number	Series	Description	Part Number	Series	Description
-------------	--------	-------------	-------------	--------	-------------



Part Number	Series	Description	Part Number	Series	Description
-------------	--------	-------------	-------------	--------	-------------

