



# SENSOR

SERIES

## M5/M8/M12 Connectors

Connector standards have been in market for many years, M8/M12 connectors are adopted and considered the sensor standard throughout the industrial and automation market place. M5 connectors are the most compact type and suitable for miniature -space applications.

Available in different pole configurations, ODS M5/M8/M12 Connectors are IEC compliant products that are designed to withstand harsh-industrial and weather environments with superior quality that assures very reliable connections for control elements in automated equipment.

As the number of applications grew, so did the variations of the M5/M8/M12. IEC61076-2 spelled out different types of "coding" needed to ensure proper connection within specific applications.

### M8 CODINGS

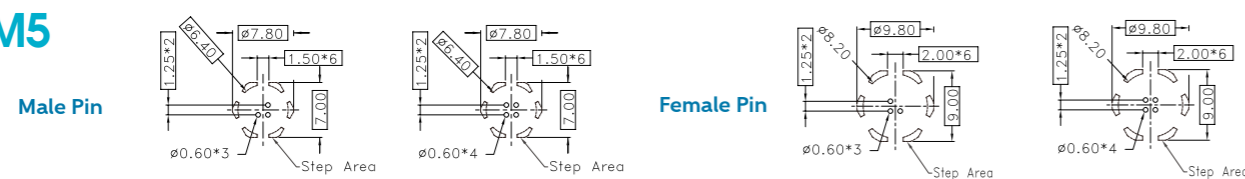
<b>A-Code</b>	General sensor/actuator connections, DeviceNet, CANOpen		<b>B-Code</b>	Sensor connections (including AC sensors) for PROFIBUS Fieldbus protocols	
			<b>F-Key</b>	Variety of other uses	

### M12 CODINGS

<b>A-Code</b>	A-Code General sensor/actuator connections, DeviceNet, CANOpen		<b>L-Code</b>	Used for DC power supply in accordance Profinet; Up to 16 A / 63 V DC in accordance with IEC 61076-2-111	
<b>B-Code</b>	Sensor connections (including AC sensors) for PROFIBUS Fieldbus protocols		<b>K-Code</b>	Used for AC applications such as connecting the power cable on a three-phase motor; Up to 12 A / 630 V AC in accordance with IEC 61076-2-111	
<b>D-Code</b>	Industrial Ethernet, Profinet, Ethernet I/O and EtherCat		<b>S-Code</b>	Designed for AC power supplies with up to 12A / 630 V AC, making it the ideal solution as a power connection for AC motors and drives; in accordance with IEC 61076-2-111	
<b>X-Code</b>	Cat6A, high-speed 10Gbit rugged industrial Ethernet applications IEC 61076-2-109		<b>T-Code</b>	Designed for DC power supplies with 12 A / 63 V DC, which works well for low-voltage applications, such as power supplies for fieldbus Ethernet components; in accordance with IEC 61076-2-111	

### PCB LAYOUT

#### M5



### WIRE COLOR PIN ASSIGNMENT

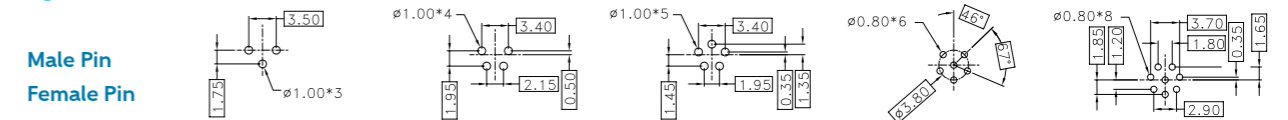
#### M5



## M8/M12 Connectors

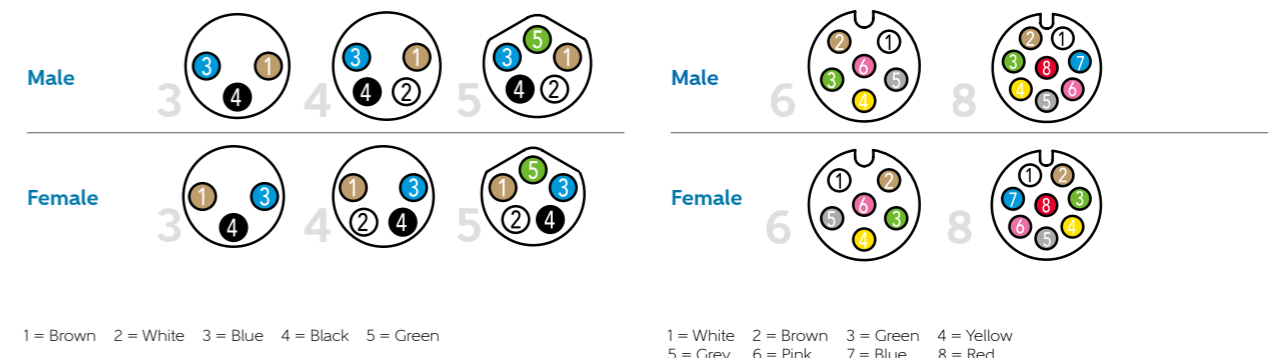
### PCB LAYOUT

#### M8



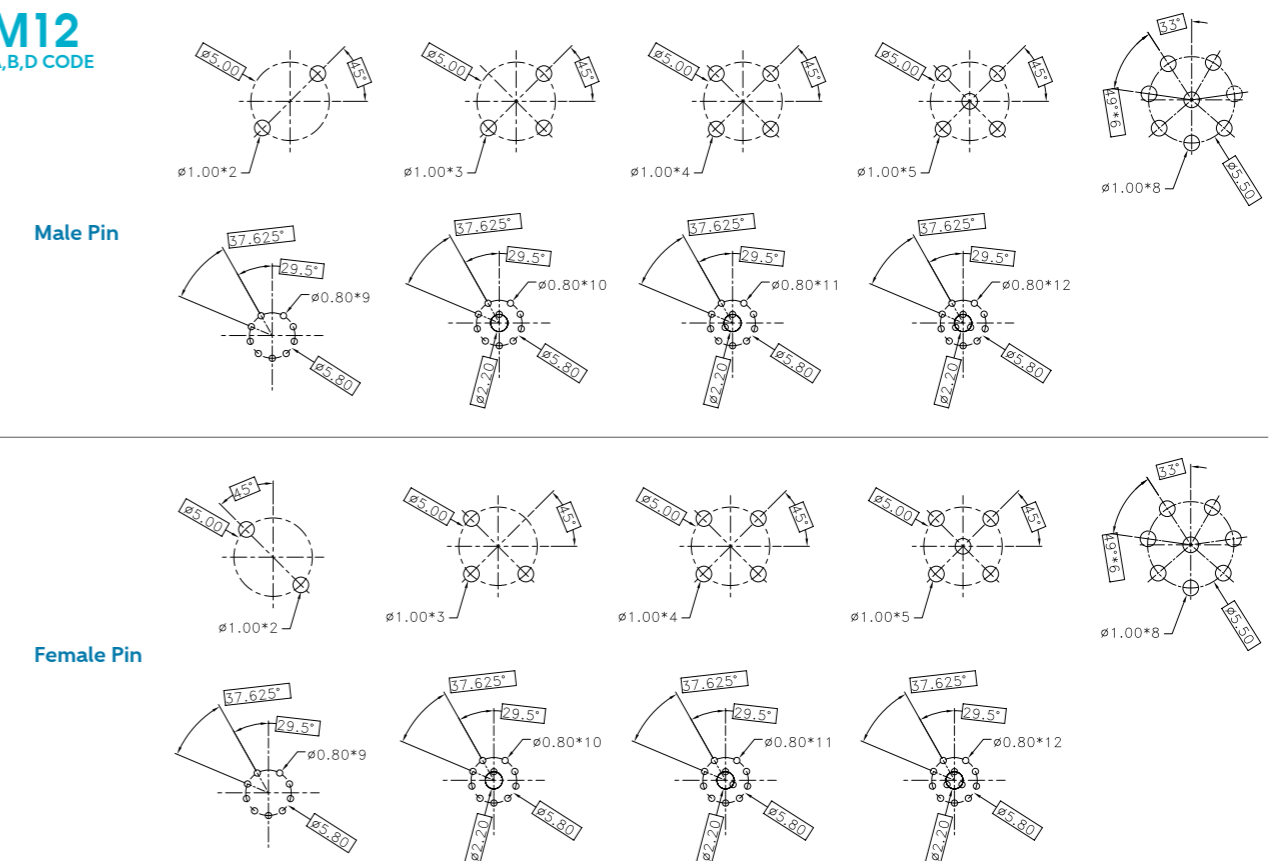
### WIRE COLOR PIN ASSIGNMENT

#### M8



### PCB LAYOUT

#### M12 A,B,D CODE

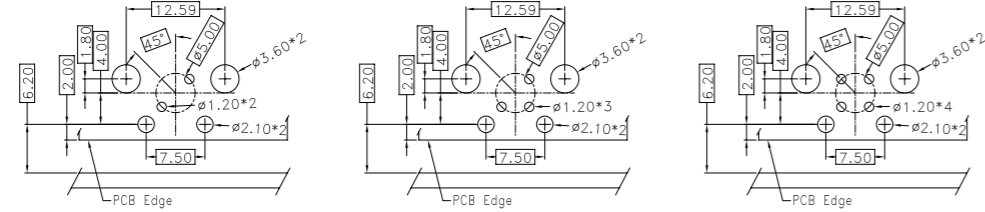


# M12 Connectors

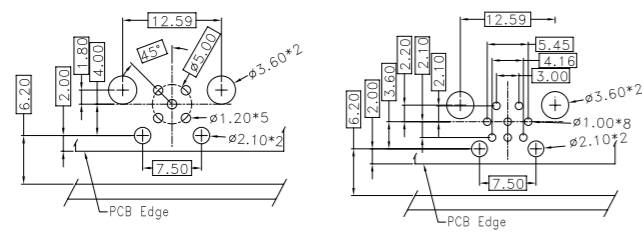
## PCB LAYOUT

### M12

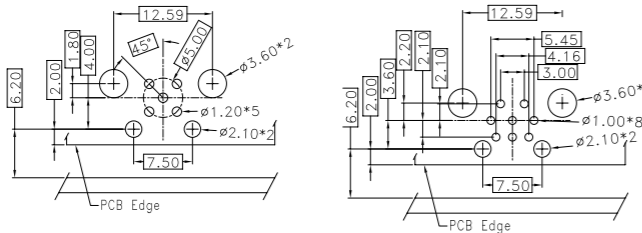
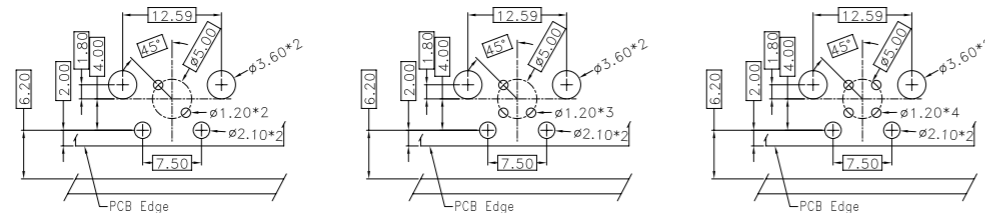
A,B,D CODE  
Plastic Right Angle



Male Pin

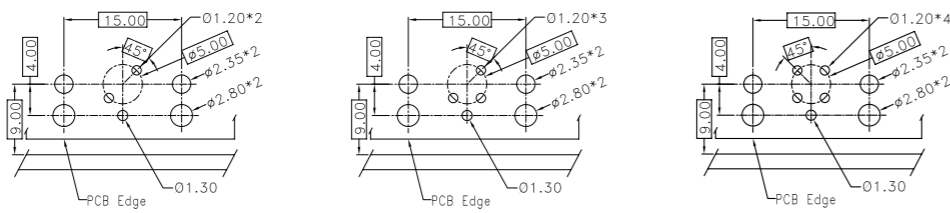


Female Pin

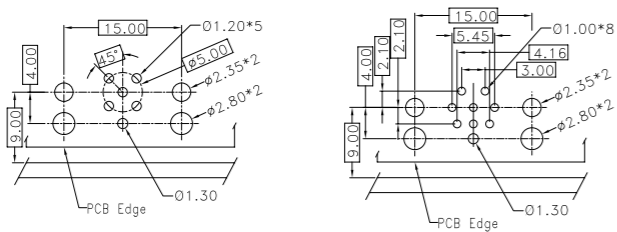


### M12

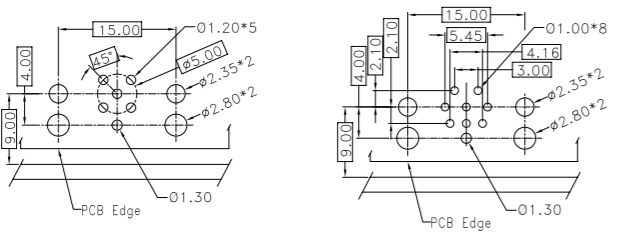
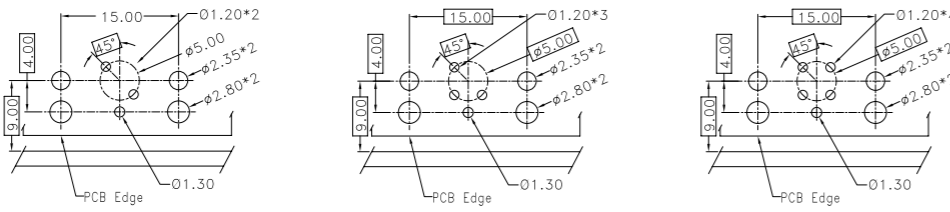
A,B,D CODE  
Metal Right Angle



Male Pin



Female Pin



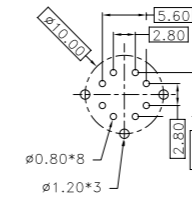
# M12 Connectors

## PCB LAYOUT

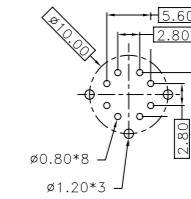
### M12

X CODE

Male Pin



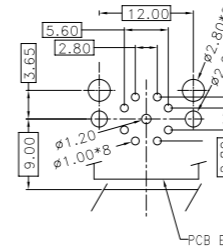
Female Pin



### M12

X CODE  
Right Angle  
Female Pin

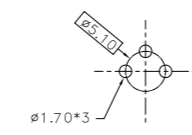
Female Pin



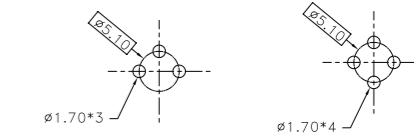
### M12

S,T CODE

Male Pin



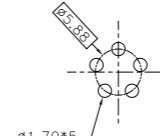
Female Pin



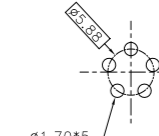
### M12

L CODE

Male Pin

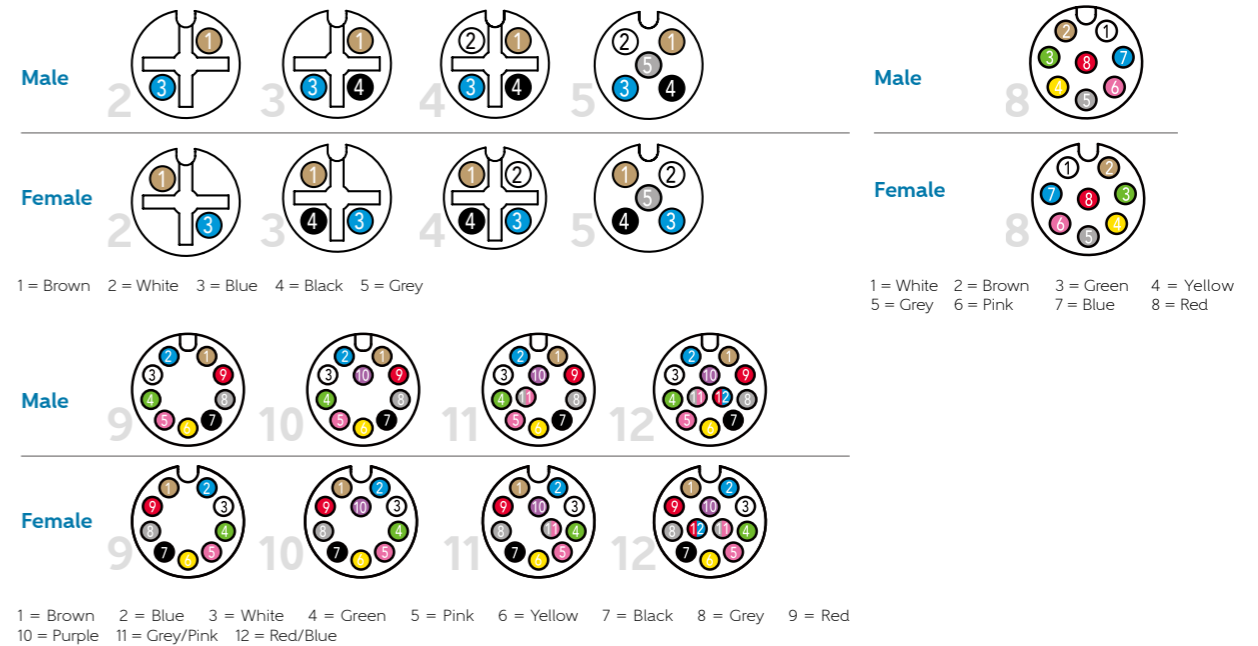


Female Pin



## WIRE COLOR PIN ASSIGNMENT

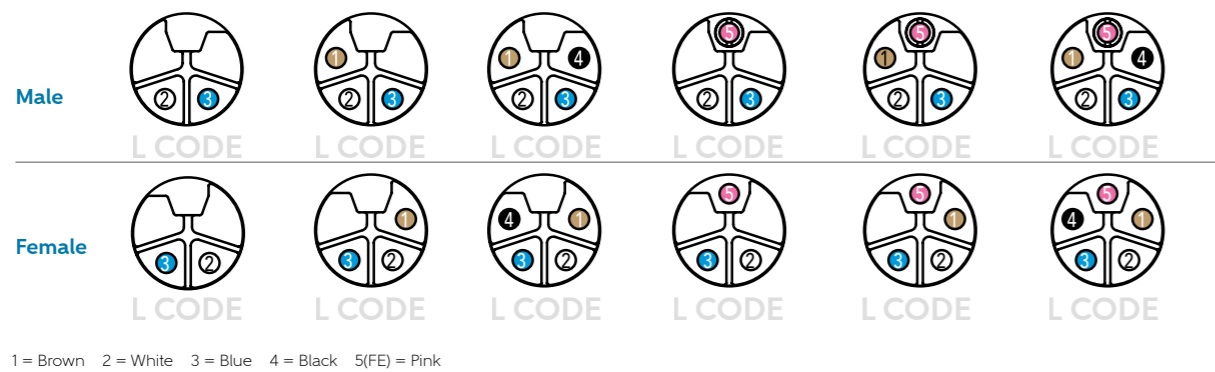
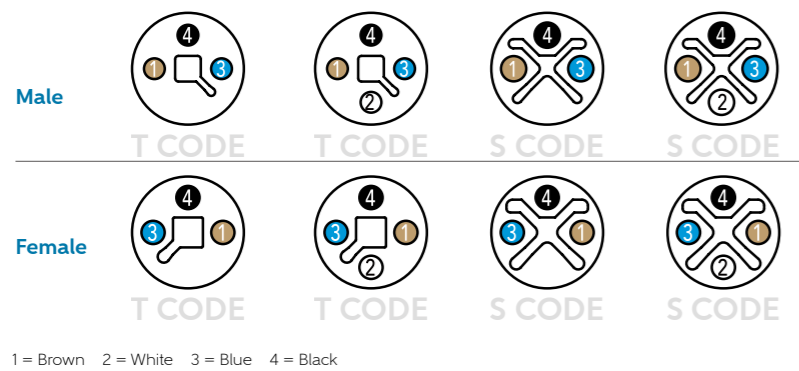
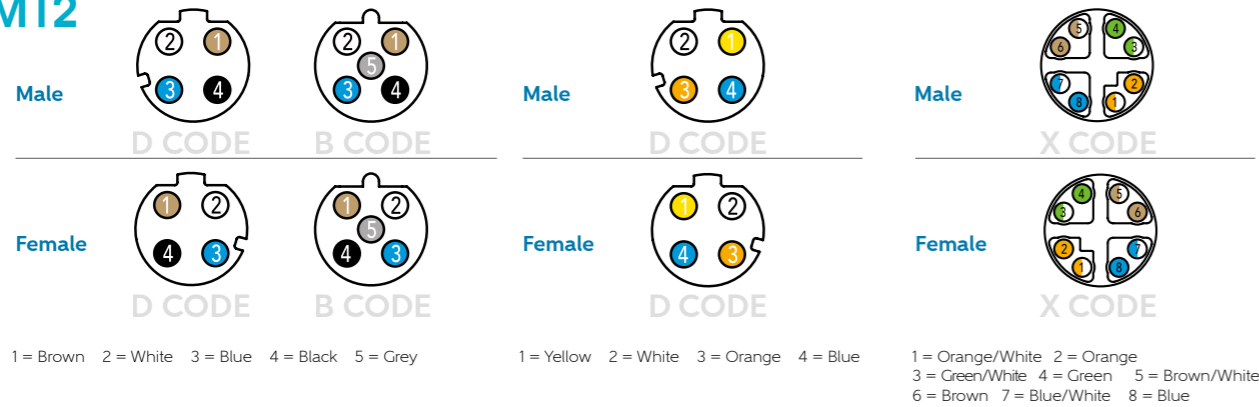
### M12



# M12 Connectors

## WIRE COLOR PIN ASSIGNMENT

### M12



# M12 Power Solution L-Code Receptacle

## Product Specifications

### General Data

Number of Positions	2/3/4P, 2/3/4P+FE
Coding	L-Coding
Contact Housing	Nylon +GF
Shell / Screw Nut	Zinc Alloy, Nickel Plated
Terminal	Copper Alloy, Nickel Plated

### Environmental Data

Mating Style	Screw Thread
Max Panel Thickness	4.5mm (Without Cap Chain)
Temperature Range	-40°C ~ +90°C
Salt Spray	48 hr.
Protection Class	IPX8
Durability	100 Times

### Electrical Data

Current Rating	16A
Voltage Rating	63V
Contact Resistance	≤ 5mΩ
Insulation Resistance	≥ 100MΩ at DC 500V
Withstanding Voltage	AC 840V/1 Minute
Standard	IEC 61076-2-111

## How to Order

MDL X X XX X XX - SHX8XXX

**Style**  
P - Front Fastened  
R - Rear Fastened

**Connector Gender**  
F - Female  
M - Male

**Number of Contacts**  
02, 03, 04, 05

**Current Rating**  
GG - 16A+FE  
GN - 16A

**Contact Type**  
F - Female  
M - Male  
C - Combo

**Serial Number**

**Assembly Style**  
S - Solder Type  
P - PCB Straight Type

MDL X X XX X XX - SHX8XXX

**Style**  
P - Front Fastened  
R - Rear Fastened

**Connector Gender**  
F - Female  
M - Male

**Number of Contacts**  
02, 03, 04, 05

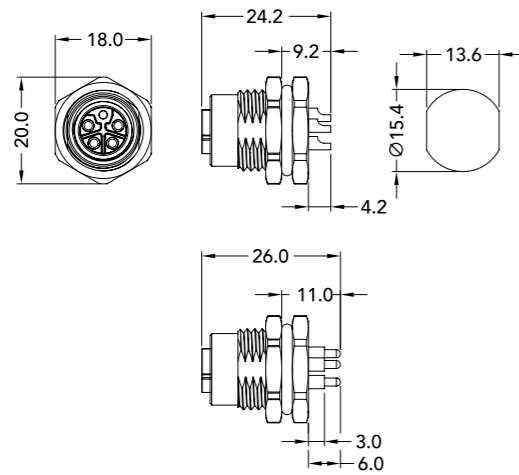
**Current Rating**  
GG - 16A  
GN - 16A+PE

**Contact Type**  
F - Female  
M - Male  
C - Combo

**Cable Length (CM)**  
A01~A99

**Panel Mounting Style**  
C - PG9  
M - M16

## M12 L-Code Receptacle Front Fastened, IPX8

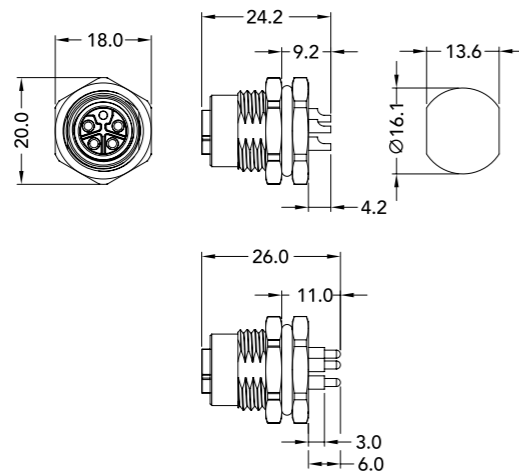


### Features and Benefits

- Female Connector, Female Pin, Male ground pin
- IEC compliant M12 L-coded panel mount receptacles in PG9 Thread
- Fully shielded for high noise immunity
- Compact & rugged design for superior power supply applications
- Optional ground pin available to fit industry applications

Part Number	Contact	Current	Voltage	Ass'y Type	Mounting
MDLPF02CGN-SHP8001	2Pin	16A	63V	PCB Straight	PG9
MDLPF03CGN-SHP8001	3Pin	16A	63V	PCB Straight	PG9
MDLPF04CGN-SHP8001	4Pin	16A	63V	PCB Straight	PG9
MDLPF03CGG-SHP8001	2Pin+FE	16A	63V	PCB Straight	PG9
MDLPF04CGG-SHP8001	3Pin+FE	16A	63V	PCB Straight	PG9
MDLPF05CGG-SHP8001	4Pin+FE	16A	63V	PCB Straight	PG9
MDLPF02CGN-SHS8001	2Pin	16A	63V	Solder	PG9
MDLPF03CGN-SHS8001	3Pin	16A	63V	Solder	PG9
MDLPF04CGN-SHS8001	4Pin	16A	63V	Solder	PG9
MDLPF03CGG-SHS8001	2Pin+FE	16A	63V	Solder	PG9
MDLPF04CGG-SHS8001	3Pin+FE	16A	63V	Solder	PG9
MDLPF05CGG-SHS8001	4Pin+FE	16A	63V	Solder	PG9

## M12 L-Code Receptacle Front Fastened, IPX8

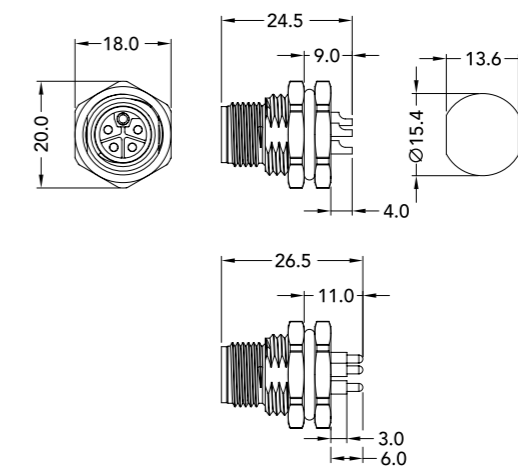


### Features and Benefits

- Female Connector, Female Pin, Male ground pin
- IEC compliant M12 L-coded panel mount receptacles in M16 Thread
- Fully shielded for high noise immunity
- Compact & rugged design for superior power supply applications
- Optional ground pin available to fit industry applications

Part Number	Contact	Current	Voltage	Ass'y Type	Mounting
MDLPF02CGN-SHP8002	2Pin	16A	63V	PCB Straight	M16
MDLPF03CGN-SHP8002	3Pin	16A	63V	PCB Straight	M16
MDLPF04CGN-SHP8002	4Pin	16A	63V	PCB Straight	M16
MDLPF03CGG-SHP8002	2Pin+FE	16A	63V	PCB Straight	M16
MDLPF04CGG-SHP8002	3Pin+FE	16A	63V	PCB Straight	M16
MDLPF05CGG-SHP8002	4Pin+FE	16A	63V	PCB Straight	M16
MDLPF02CGN-SHS8002	2Pin	16A	63V	Solder	M16
MDLPF03CGN-SHS8002	3Pin	16A	63V	Solder	M16
MDLPF04CGN-SHS8002	4Pin	16A	63V	Solder	M16
MDLPF03CGG-SHS8002	2Pin+FE	16A	63V	Solder	M16
MDLPF04CGG-SHS8002	3Pin+FE	16A	63V	Solder	M16
MDLPF05CGG-SHS8002	4Pin+FE	16A	63V	Solder	M16

## M12 L-Code Receptacle Front Fastened, IPX8

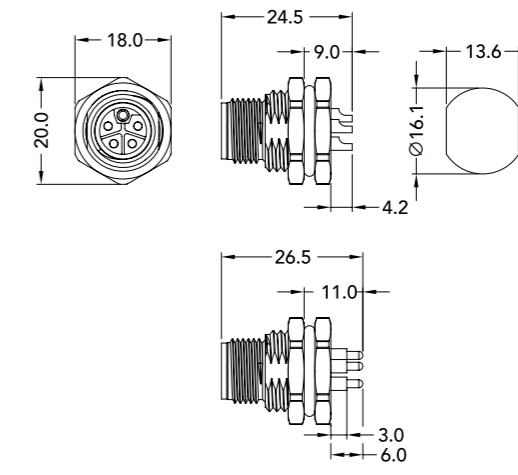


### Features and Benefits

- Male Connector, Male Pin, Female ground pin
- IEC compliant M12 L-coded panel mount receptacles in PG9 Thread
- Fully shielded for high noise immunity
- Compact & rugged design for superior power supply applications
- Optional ground pin available to fit industry applications

Part Number	Contact	Current	Voltage	Ass'y Type	Mounting
MDLPM02CGN-SHP8001	2Pin	16A	63V	PCB Straight	PG9
MDLPM03CGN-SHP8001	3Pin	16A	63V	PCB Straight	PG9
MDLPM04CGN-SHP8001	4Pin	16A	63V	PCB Straight	PG9
MDLPM03CGG-SHP8001	2Pin+FE	16A	63V	PCB Straight	PG9
MDLPM04CGG-SHP8001	3Pin+FE	16A	63V	PCB Straight	PG9
MDLPM05CGG-SHP8001	4Pin+FE	16A	63V	PCB Straight	PG9
MDLPM02CGN-SHS8001	2Pin	16A	63V	Solder	PG9
MDLPM03CGN-SHS8001	3Pin	16A	63V	Solder	PG9
MDLPM04CGN-SHS8001	4Pin	16A	63V	Solder	PG9
MDLPM03CGG-SHS8001	2Pin+FE	16A	63V	Solder	PG9
MDLPM04CGG-SHS8001	3Pin+FE	16A	63V	Solder	PG9
MDLPM05CGG-SHS8001	4Pin+FE	16A	63V	Solder	PG9

## M12 L-Code Receptacle Front Fastened, IPX8

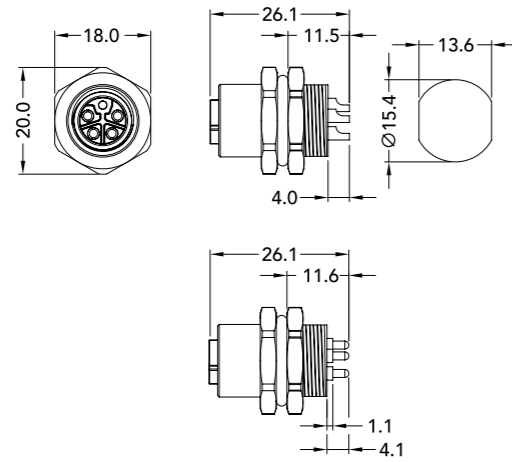


### Features and Benefits

- Male Connector, Male Pin, Female ground pin
- IEC compliant M12 L-coded panel mount receptacles in M16 Thread
- Fully shielded for high noise immunity
- Compact & rugged design for superior power supply applications
- Optional ground pin available to fit industry applications

Part Number	Contact	Current	Voltage	Ass'y Type	Mounting
MDLPM02CGN-SHP8003	2Pin	16A	63V	PCB Straight	M16
MDLPM03CGN-SHP8003	3Pin	16A	63V	PCB Straight	M16
MDLPM04CGN-SHP8003	4Pin	16A	63V	PCB Straight	M16
MDLPM03CGG-SHP8003	2Pin+FE	16A	63V	PCB Straight	M16
MDLPM04CGG-SHP8003	3Pin+FE	16A	63V	PCB Straight	M16
MDLPM05CGG-SHP8003	4Pin+FE	16A	63V	PCB Straight	M16
MDLPM02CGN-SHS8003	2Pin	16A	63V	Solder	M16
MDLPM03CGN-SHS8003	3Pin	16A	63V	Solder	M16
MDLPM04CGN-SHS8003	4Pin	16A	63V	Solder	M16
MDLPM03CGG-SHS8003	2Pin+FE	16A	63V	Solder	M16
MDLPM04CGG-SHS8003	3Pin+FE	16A	63V	Solder	M16
MDLPM05CGG-SHS8003	4Pin+FE	16A	63V	Solder	M16

### M12 L-Code Receptacle Rear Fastened, IPX8

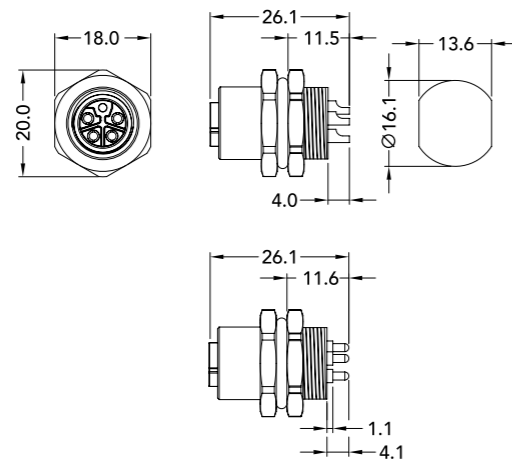


#### Features and Benefits

- Female Connector, Female Pin, Male ground pin
- IEC compliant M12 L-coded panel mount receptacles in PG9 Thread
- Fully shielded for high noise immunity
- Compact & rugged design for superior power supply applications
- Optional ground pin available to fit industry applications

Part Number	Contact	Current	Voltage	Ass'y Type	Mounting
MDLRF02CGN-SHP8001	2Pin	16A	63V	PCB Straight	PG9
MDLRF03CGN-SHP8001	3Pin	16A	63V	PCB Straight	PG9
MDLRF04CGN-SHP8001	4Pin	16A	63V	PCB Straight	PG9
MDLRF03CGG-SHP8001	2Pin+FE	16A	63V	PCB Straight	PG9
MDLRF04CGG-SHP8001	3Pin+FE	16A	63V	PCB Straight	PG9
MDLRF05CGG-SHP8001	4Pin+FE	16A	63V	PCB Straight	PG9
MDLRF02CGN-SHS8001	2Pin	16A	63V	Solder	PG9
MDLRF03CGN-SHS8001	3Pin	16A	63V	Solder	PG9
MDLRF04CGN-SHS8001	4Pin	16A	63V	Solder	PG9
MDLRF03CGG-SHS8001	2Pin+FE	16A	63V	Solder	PG9
MDLRF04CGG-SHS8001	3Pin+FE	16A	63V	Solder	PG9
MDLRF05CGG-SHS8001	4Pin+FE	16A	63V	Solder	PG9

### M12 L-Code Receptacle Rear Fastened, IPX8

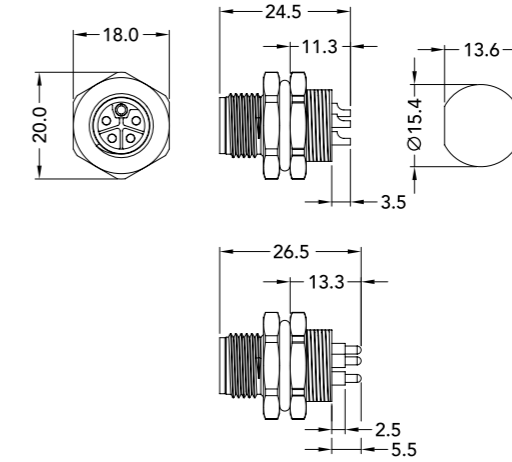


#### Features and Benefits

- Female Connector, Female Pin, Male ground pin
- IEC compliant M12 L-coded panel mount receptacles in M16 Thread
- Fully shielded for high noise immunity
- Compact & rugged design for superior power supply applications
- Optional ground pin available to fit industry applications

Part Number	Contact	Current	Voltage	Ass'y Type	Mounting
MDLRF02CGN-SHP8002	2Pin	16A	63V	PCB Straight	M16
MDLRF03CGN-SHP8002	3Pin	16A	63V	PCB Straight	M16
MDLRF04CGN-SHP8002	4Pin	16A	63V	PCB Straight	M16
MDLRF03CGG-SHP8002	2Pin+FE	16A	63V	PCB Straight	M16
MDLRF04CGG-SHP8002	3Pin+FE	16A	63V	PCB Straight	M16
MDLRF05CGG-SHP8002	4Pin+FE	16A	63V	PCB Straight	M16
MDLRF02CGN-SHS8002	2Pin	16A	63V	Solder	M16
MDLRF03CGN-SHS8002	3Pin	16A	63V	Solder	M16
MDLRF04CGN-SHS8002	4Pin	16A	63V	Solder	M16
MDLRF03CGG-SHS8002	2Pin+FE	16A	63V	Solder	M16
MDLRF04CGG-SHS8002	3Pin+FE	16A	63V	Solder	M16
MDLRF05CGG-SHS8002	4Pin+FE	16A	63V	Solder	M16

### M12 L-Code Receptacle Rear Fastened, IPX8

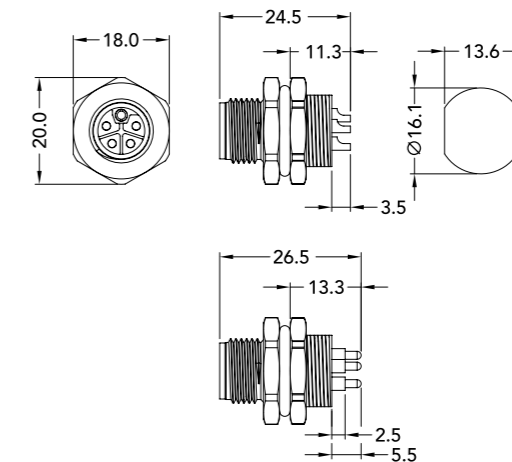


#### Features and Benefits

- Male Connector, Male Pin, Female ground pin
- IEC compliant M12 L-coded panel mount receptacles in PG9 Thread
- Fully shielded for high noise immunity
- Compact & rugged design for superior power supply applications
- Optional ground pin available to fit industry applications

Part Number	Contact	Current	Voltage	Ass'y Type	Mounting
MDLRM02CGN-SHP8001	2Pin	16A	63V	PCB Straight	PG9
MDLRM03CGN-SHP8001	3Pin	16A	63V	PCB Straight	PG9
MDLRM04CGN-SHP8001	4Pin	16A	63V	PCB Straight	PG9
MDLRM03CGG-SHP8001	2Pin+FE	16A	63V	PCB Straight	PG9
MDLRM04CGG-SHP8001	3Pin+FE	16A	63V	PCB Straight	PG9
MDLRM05CGG-SHP8001	4Pin+FE	16A	63V	PCB Straight	PG9
MDLRM02CGN-SHS8001	2Pin	16A	63V	Solder	PG9
MDLRM03CGN-SHS8001	3Pin	16A	63V	Solder	PG9
MDLRM04CGN-SHS8001	4Pin	16A	63V	Solder	PG9
MDLRM03CGG-SHS8001	2Pin+FE	16A	63V	Solder	PG9
MDLRM04CGG-SHS8001	3Pin+FE	16A	63V	Solder	PG9
MDLRM05CGG-SHS8001	4Pin+FE	16A	63V	Solder	PG9

### M12 L-Code Receptacle Rear Fastened, IPX8

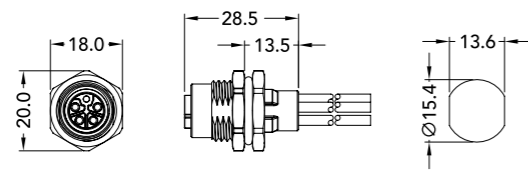


#### Features and Benefits

- Male Connector, Male Pin, Female ground pin
- IEC compliant M12 L-coded panel mount receptacles in M16 Thread
- Fully shielded for high noise immunity
- Compact & rugged design for superior power supply applications
- Optional ground pin available to fit industry applications

Part Number	Contact	Current	Voltage	Ass'y Type	Mounting
MDLRM02CGN-SHP8002	2Pin	16A	63V	PCB Straight	M16
MDLRM03CGN-SHP8002	3Pin	16A	63V	PCB Straight	M16
MDLRM04CGN-SHP8002	4Pin	16A	63V	PCB Straight	M16
MDLRM03CGG-SHP8002	2Pin+FE	16A	63V	PCB Straight	M16
MDLRM04CGG-SHP8002	3Pin+FE	16A	63V	PCB Straight	M16
MDLRM05CGG-SHP8002	4Pin+FE	16A	63V	PCB Straight	M16
MDLRM02CGN-SHS8002	2Pin	16A	63V	Solder	M16
MDLRM03CGN-SHS8002	3Pin	16A	63V	Solder	M16
MDLRM04CGN-SHS8002	4Pin	16A	63V	Solder	M16
MDLRM03CGG-SHS8002	2Pin+FE	16A	63V	Solder	M16
MDLRM04CGG-SHS8002	3Pin+FE	16A	63V	Solder	M16
MDLRM05CGG-SHS8002	4Pin+FE	16A	63V	Solder	M16

## M12 L-Code Receptacle Front Fastened, IPX8

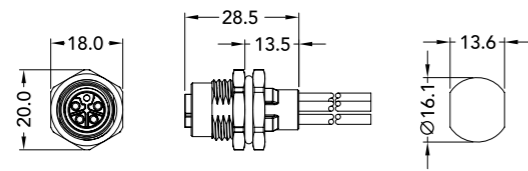


### Features and Benefits

- Female Connector, Female Pin, Male ground pin
- IEC compliant M12 L-coded panel mount with wire in PG9 Thread
- Fully shielded for high noise immunity
- Compact & rugged design for superior power supply applications
- Optional ground pin available to fit industry applications

Part Number	Contact	Current	Voltage	Ass'y Type	Mounting
MDLPF02CGN-SHC8AXX	2Pin	16A	63V	Wire Harness End Cut	PG9
MDLPF03CGN-SHC8AXX	3Pin	16A	63V	Wire Harness End Cut	PG9
MDLPF04CGN-SHC8AXX	4Pin	16A	63V	Wire Harness End Cut	PG9
MDLPF03CGG-SHC8AXX	2Pin+FE	16A	63V	Wire Harness End Cut	PG9
MDLPF04CGG-SHC8AXX	3Pin+FE	16A	63V	Wire Harness End Cut	PG9
MDLPF05CGG-SHC8AXX	4Pin+FE	16A	63V	Wire Harness End Cut	PG9

## M12 L-Code Receptacle Front Fastened, IPX8

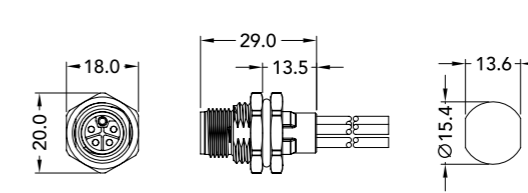


### Features and Benefits

- Female Connector, Female Pin, Male ground pin
- IEC compliant M12 L-coded panel mount with wire in M16 Thread
- Fully shielded for high noise immunity
- Compact & rugged design for superior power supply applications
- Optional ground pin available to fit industry applications

Part Number	Contact	Current	Voltage	Ass'y Type	Mounting
MDLPF02CGN-SHM8AXX	2Pin	16A	63V	Wire Harness End Cut	M16
MDLPF03CGN-SHM8AXX	3Pin	16A	63V	Wire Harness End Cut	M16
MDLPF04CGN-SHM8AXX	4Pin	16A	63V	Wire Harness End Cut	M16
MDLPF03CGG-SHM8AXX	2Pin+FE	16A	63V	Wire Harness End Cut	M16
MDLPF04CGG-SHM8AXX	3Pin+FE	16A	63V	Wire Harness End Cut	M16
MDLPF05CGG-SHM8AXX	4Pin+FE	16A	63V	Wire Harness End Cut	M16

## M12 L-Code Receptacle Front Fastened, IPX8

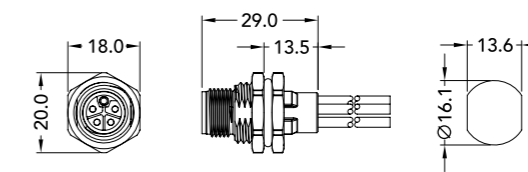


### Features and Benefits

- Male Connector, Male Pin, Female ground pin
- IEC compliant M12 L-coded panel mount with wire in PG9 Thread
- Fully shielded for high noise immunity
- Compact & rugged design for superior power supply applications
- Optional ground pin available to fit industry applications

Part Number	Contact	Current	Voltage	Ass'y Type	Mounting
MDLPM02CGN-SHC8AXX	2Pin	16A	63V	Wire Harness End Cut	PG9
MDLPM03CGN-SHC8AXX	3Pin	16A	63V	Wire Harness End Cut	PG9
MDLPM04CGN-SHC8AXX	4Pin	16A	63V	Wire Harness End Cut	PG9
MDLPM03CGG-SHC8AXX	2Pin+FE	16A	63V	Wire Harness End Cut	PG9
MDLPM04CGG-SHC8AXX	3Pin+FE	16A	63V	Wire Harness End Cut	PG9
MDLPM05CGG-SHC8AXX	4Pin+FE	16A	63V	Wire Harness End Cut	PG9

## M12 L-Code Receptacle Front Fastened, IPX8



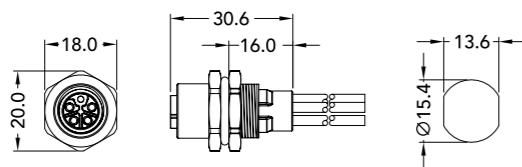
### Features and Benefits

- Male Connector, Male Pin, Female ground pin
- IEC compliant M12 L-coded panel mount with wire in M16 Thread
- Fully shielded for high noise immunity
- Compact & rugged design for superior power supply applications
- Optional ground pin available to fit industry applications

Part Number	Contact	Current	Voltage	Ass'y Type	Mounting
MDLPM02CGN-SHM8AXX	2Pin	16A	63V	Wire Harness End Cut	M16
MDLPM03CGN-SHM8AXX	3Pin	16A	63V	Wire Harness End Cut	M16
MDLPM04CGN-SHM8AXX	4Pin	16A	63V	Wire Harness End Cut	M16
MDLPM03CGG-SHM8AXX	2Pin+FE	16A	63V	Wire Harness End Cut	M16
MDLPM04CGG-SHM8AXX	3Pin+FE	16A	63V	Wire Harness End Cut	M16
MDLPM05CGG-SHM8AXX	4Pin+FE	16A	63V	Wire Harness End Cut	M16



## M12 L-Code Receptacle Rear Fastened, IPX8

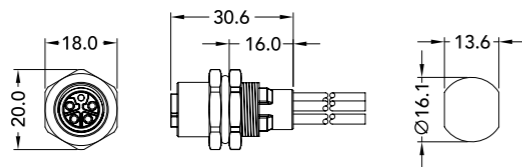


### Features and Benefits

- Female Connector, Female Pin, Male ground pin
- IEC compliant M12 L-coded panel mount with wire in PG9 Thread
- Fully shielded for high noise immunity
- Compact & rugged design for superior power supply applications

Part Number	Contact	Current	Voltage	Ass'y Type	Mounting
MDLRF02CGN-SHC8AXX	2Pin	16A	63V	Wire Harness End Cut	PG9
MDLRF03CGN-SHC8AXX	3Pin	16A	63V	Wire Harness End Cut	PG9
MDLRF04CGN-SHC8AXX	4Pin	16A	63V	Wire Harness End Cut	PG9
MDLRF03CGG-SHC8AXX	2Pin+FE	16A	63V	Wire Harness End Cut	PG9
MDLRF04CGG-SHC8AXX	3Pin+FE	16A	63V	Wire Harness End Cut	PG9
MDLRF05CGG-SHC8AXX	4Pin+FE	16A	63V	Wire Harness End Cut	PG9

## M12 L-Code Receptacle Rear Fastened, IPX8

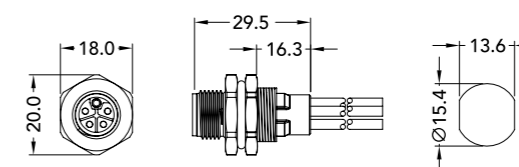


### Features and Benefits

- Female Connector, Female Pin, Male ground pin
- IEC compliant M12 L-coded panel mount with wire in M16 Thread
- Fully shielded for high noise immunity
- Compact & rugged design for superior power supply applications
- Optional ground pin available to fit industry applications

Part Number	Contact	Current	Voltage	Ass'y Type	Mounting
MDLRF02CGN-SHM8AXX	2Pin	16A	63V	Wire Harness End Cut	M16
MDLRF03CGN-SHM8AXX	3Pin	16A	63V	Wire Harness End Cut	M16
MDLRF04CGN-SHM8AXX	4Pin	16A	63V	Wire Harness End Cut	M16
MDLRF03CGG-SHM8AXX	2Pin+FE	16A	63V	Wire Harness End Cut	M16
MDLRF04CGG-SHM8AXX	3Pin+FE	16A	63V	Wire Harness End Cut	M16
MDLRF05CGG-SHM8AXX	4Pin+FE	16A	63V	Wire Harness End Cut	M16

## M12 L-Code Receptacle Rear Fastened, IPX8

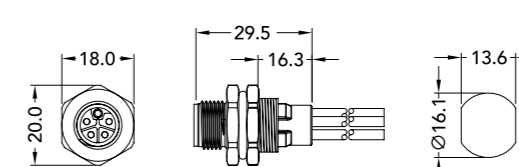


### Features and Benefits

- Male Connector, Male Pin, Female ground pin
- IEC compliant M12 L-coded panel mount with wire in PG9 Thread
- Fully shielded for high noise immunity
- Compact & rugged design for superior power supply applications
- Optional ground pin available to fit industry applications

Part Number	Contact	Current	Voltage	Ass'y Type	Mounting
MDLRM02CGN-SHC8AXX	2Pin	16A	63V	Wire Harness End Cut	PG9
MDLRM03CGN-SHC8AXX	3Pin	16A	63V	Wire Harness End Cut	PG9
MDLRM04CGN-SHC8AXX	4Pin	16A	63V	Wire Harness End Cut	PG9
MDLRM03CGG-SHC8AXX	2Pin+FE	16A	63V	Wire Harness End Cut	PG9
MDLRM04CGG-SHC8AXX	3Pin+FE	16A	63V	Wire Harness End Cut	PG9
MDLRM05CGG-SHC8AXX	4Pin+FE	16A	63V	Wire Harness End Cut	PG9

## M12 L-Code Receptacle Rear Fastened, IPX8



### Features and Benefits

- Male Connector, Male Pin, Female ground pin
- IEC compliant M12 L-coded panel mount with wire in M16 Thread
- Fully shielded for high noise immunity
- Compact & rugged design for superior power supply applications
- Optional ground pin available to fit industry applications

Part Number	Contact	Current	Voltage	Ass'y Type	Mounting
MDLRM02CGN-SHM8AXX	2Pin	16A	63V	Wire Harness End Cut	M16
MDLRM03CGN-SHM8AXX	3Pin	16A	63V	Wire Harness End Cut	M16
MDLRM04CGN-SHM8AXX	4Pin	16A	63V	Wire Harness End Cut	M16
MDLRM03CGG-SHM8AXX	2Pin+FE	16A	63V	Wire Harness End Cut	M16
MDLRM04CGG-SHM8AXX	3Pin+FE	16A	63V	Wire Harness End Cut	M16
MDLRM05CGG-SHM8AXX	4Pin+FE	16A	63V	Wire Harness End Cut	M16

# M12 Power Solution L-Code Full Shielded Cable Assembly

## Product Specifications

### General Data

Number of Positions	2/3/4P, 2/3/4P+FE
Coding	L-Coding
Contact Housing	Nylon +GF
Screw Nut	Copper Alloy, Nickel Plated
Terminal	Copper Alloy, Nickel Plated

### Electrical Data

Current Rating	16A
Voltage Rating	63V
Contact Resistance	≤ 5mΩ
Withstanding Voltage	AC 840V/1 Minute
Standard	IEC 61076-2-111

### Environmental Data

Mating Style	Screw Thread
Temperature Range	-20°C ~ +80°C
Salt Spray	48 hr.
Protection Class	IPX7 (Mated)
Durability	100 Times
Assemble Type	Cable End Cut

## How to Order

**ESL****B**X **XX** **X** **XX** - **SLC7****XXX**

**Connector Gender**  
F - Female  
M - Male

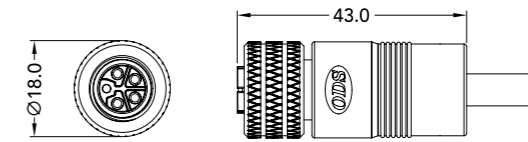
**Contact Type**  
F - Female  
M - Male  
C - Combo

**Number of Contacts**  
02, 03, 04, 05

**Current Rating**  
GG - 16A+FE  
GN - 16A

**Cable Type / Length (M)**  
A01~A99

# M12 L-Code Cable Assembly Straight, IPX7 (Mated)



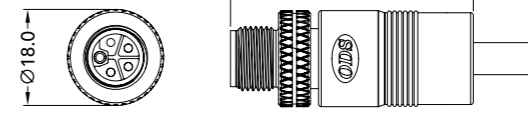
### Features and Benefits

- Female Connector, Female Pin, Male ground pin
- IEC compliant M12 L-coded cable assemblies with threaded couplers
- Fully shielded for high noise immunity
- Compact & rugged design for superior power supply applications
- Optional ground pin available to fit industry applications

Part Number	Contact	Current	Voltage
ESLBF02CGN-SLC7AXX	2Pin	16A	63V
ESLBF03CGN-SLC7AXX	3Pin	16A	63V
ESLBF04CGN-SLC7AXX	4Pin	16A	63V

Part Number	Contact	Current	Voltage
ESLBF03CGG-SLC7AXX	2Pin+FE	16A	63V
ESLBF04CGG-SLC7AXX	3Pin+FE	16A	63V
ESLBF05CGG-SLC7AXX	4Pin+FE	16A	63V

# M12 L-Code Cable Assembly Straight, IPX7 (Mated)



### Features and Benefits

- Male Connector, Male Pin, Female ground pin
- IEC compliant M12 L-coded cable assemblies with threaded couplers
- Fully shielded for high noise immunity
- Compact & rugged design for superior power supply applications
- Optional ground pin available to fit industry applications

Part Number	Contact	Current	Voltage
ESLBM02CGN-SLC7AXX	2Pin	16A	63V
ESLBM03CGN-SLC7AXX	3Pin	16A	63V
ESLBM04CGN-SLC7AXX	4Pin	16A	63V

Part Number	Contact	Current	Voltage
ESLBM03CGG-SLC7AXX	2Pin+FE	16A	63V
ESLBM04CGG-SLC7AXX	3Pin+FE	16A	63V
ESLBM05CGG-SLC7AXX	4Pin+FE	16A	63V

# M12 Power Solution L-Code Field Installable Crimp Pin (Full Shielded)

## Product Specifications

### General Data

Number of Positions	2/3/4P, 2/3/4P+FE
Coding	L-Coding
Contact Housing	Nylon +GF
Screw Nut	Copper Alloy, Nickel Plated
Terminal	Copper Alloy, Nickel Plated

### Electrical Data

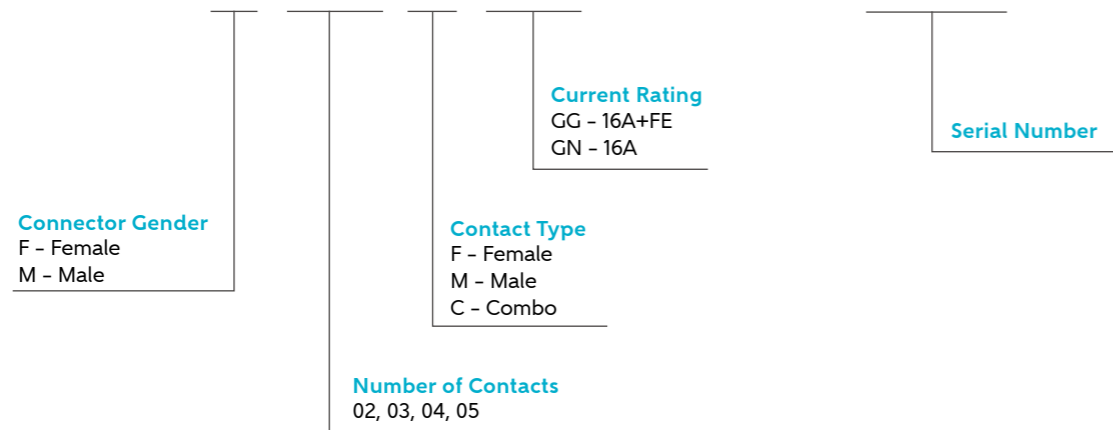
Current Rating	16A
Voltage Rating	63V
Contact Resistance	≤ 5mΩ
Insulation Resistance	≥ 100MΩ at DC 500V
Withstanding Voltage	AC 840V/1 Minute
Standard	IEC 61076-2-111

### Environmental Data

Mating Style	Screw Thread
Wire Gauge	14 AWG ~ 16 AWG
Cable OD	Seal 1: O.D.= Φ8~Φ10.5mm Seal 2: O.D.= Φ10.5~Φ13mm
Temperature Range	-40°C ~ +90°C
Salt Spray	48 hr.
Protection Class	IPX7 (Mated)
Durability	100 Times
Mode of Connection	Crimp Connection

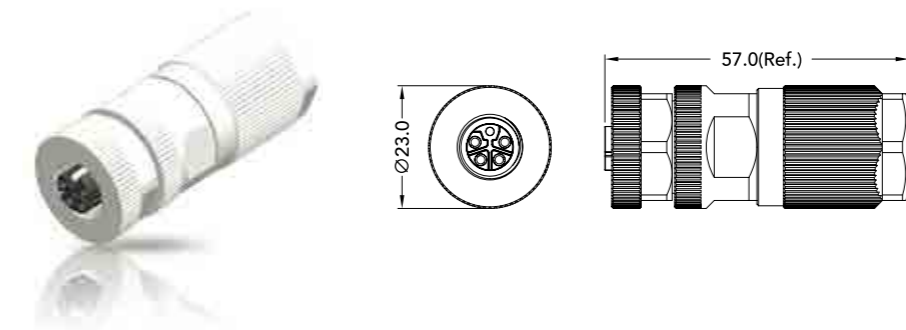
## How to Order

# MSLDX XX X XX - SLM7XXX



# M12 L-Code Field Installable Crimp Connection

Straight, IPX7 (Mated)

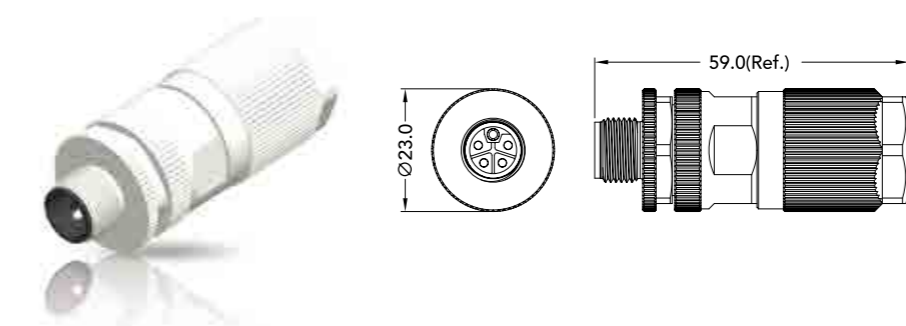


- ### Features and Benefits
- Female Connector, Female Pin, Male ground pin
  - IEC compliant M12 L-coded field installable with threaded couplers
  - Fully shielded for high noise immunity
  - Compact & rugged design for superior power supply applications
  - Optional ground pin available to fit industry applications

Part Number	Contact	Current	Voltage	Ass'y Type	Cable Range
MSLDF02CGN-SLM7001	2Pin	16A	63V	Crimp	Φ8.0mm~Φ10.5mm
MSLDF02CGN-SLM7002	2Pin	16A	63V	Crimp	Φ10.5mm~Φ13.0mm
MSLDF03CGN-SLM7001	3Pin	16A	63V	Crimp	Φ8.0mm~Φ10.5mm
MSLDF03CGN-SLM7002	3Pin	16A	63V	Crimp	Φ10.5mm~Φ13.0mm
MSLDF04CGN-SLM7001	4Pin	16A	63V	Crimp	Φ8.0mm~Φ10.5mm
MSLDF04CGN-SLM7002	4Pin	16A	63V	Crimp	Φ10.5mm~Φ13.0mm
MSLDF03CGG-SLM7001	2Pin+FE	16A	63V	Crimp	Φ8.0mm~Φ10.5mm
MSLDF03CGG-SLM7002	2Pin+FE	16A	63V	Crimp	Φ10.5mm~Φ13.0mm
MSLDF04CGG-SLM7001	3Pin+FE	16A	63V	Crimp	Φ8.0mm~Φ10.5mm
MSLDF04CGG-SLM7002	3Pin+FE	16A	63V	Crimp	Φ10.5mm~Φ13.0mm
MSLDF05CGG-SLM7001	4Pin+FE	16A	63V	Crimp	Φ8.0mm~Φ10.5mm
MSLDF05CGG-SLM7002	4Pin+FE	16A	63V	Crimp	Φ10.5mm~Φ13.0mm

# M12 L-Code Field Installable Crimp Connection

Straight, IPX7 (Mated)

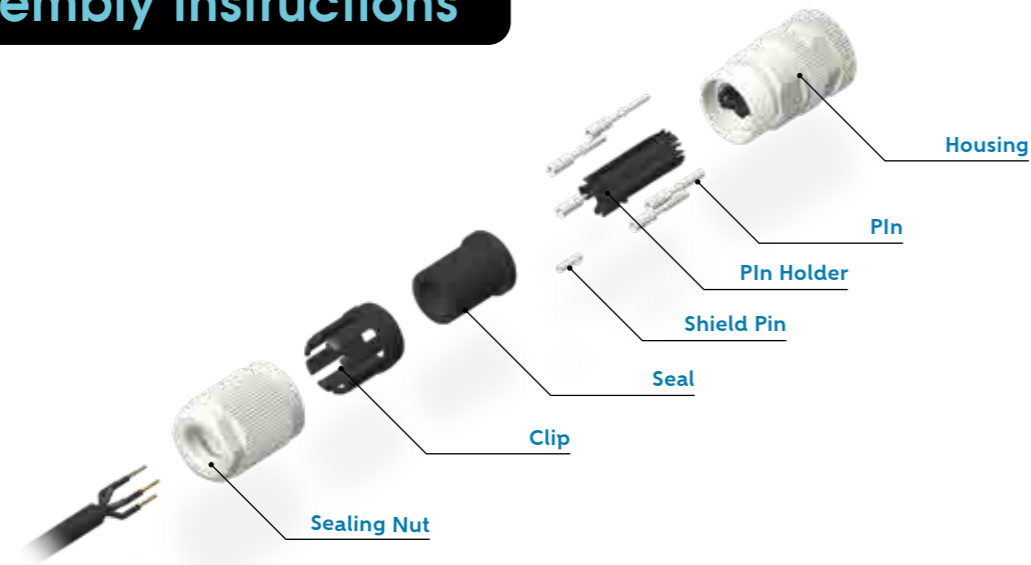


- ### Features and Benefits
- Male Connector, Male Pin, Female ground pin
  - IEC compliant M12 L-coded field installable with threaded couplers
  - Fully shielded for high noise immunity
  - Compact & rugged design for superior power supply applications
  - Optional ground pin available to fit industry applications

Part Number	Contact	Current	Voltage	Ass'y Type	Cable Range
MSLDM02CGN-SLM7001	2Pin	16A	63V	Crimp	Φ8.0mm~Φ10.5mm
MSLDM02CGN-SLM7002	2Pin	16A	63V	Crimp	Φ10.5mm~Φ13.0mm
MSLDM03CGN-SLM7001	3Pin	16A	63V	Crimp	Φ8.0mm~Φ10.5mm
MSLDM03CGN-SLM7002	3Pin	16A	63V	Crimp	Φ10.5mm~Φ13.0mm
MSLDM04CGN-SLM7001	4Pin	16A	63V	Crimp	Φ8.0mm~Φ10.5mm
MSLDM04CGN-SLM7002	4Pin	16A	63V	Crimp	Φ10.5mm~Φ13.0mm
MSLDM03CGG-SLM7001	2Pin+FE	16A	63V	Crimp	Φ8.0mm~Φ10.5mm
MSLDM03CGG-SLM7002	2Pin+FE	16A	63V	Crimp	Φ10.5mm~Φ13.0mm
MSLDM04CGG-SLM7001	3Pin+FE	16A	63V	Crimp	Φ8.0mm~Φ10.5mm
MSLDM04CGG-SLM7002	3Pin+FE	16A	63V	Crimp	Φ10.5mm~Φ13.0mm
MSLDM05CGG-SLM7001	4Pin+FE	16A	63V	Crimp	Φ8.0mm~Φ10.5mm
MSLDM05CGG-SLM7002	4Pin+FE	16A	63V	Crimp	Φ10.5mm~Φ13.0mm

# M12 Female Field Installable Crimp Connection

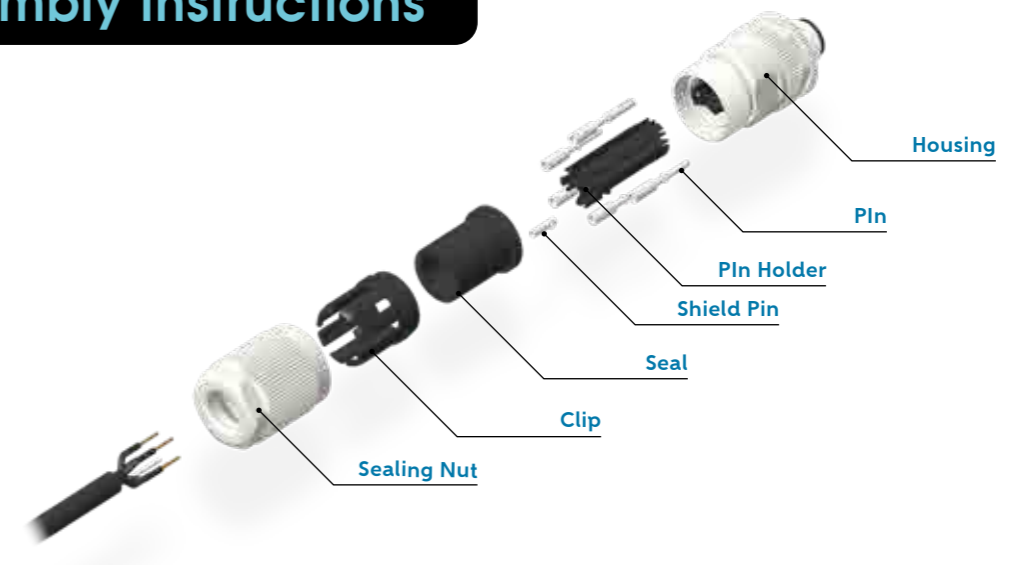
## Assembly Instructions



- Strip the cable sheath and insulation.
- Insert the cable through the sealing nut,clip,seal
- Use crimping pliers(ODS P/ N:HTC 1814-C001) crimp drain or braid with crimping pliers and cut extra braid.
- Crimp wire harness with crimping pliers to the length of wire.
- Insert the shield pin vertically into the slot, follow the indicated mark: PE for male pin. Align the pin with pin holder and press it into each slot with a click
- Match the triangle mark with the slot on pin holder.
- Install the holder with a click.
- Connect the seal and the clip respectively.
- Connect the sealing nut and tighten using hand tool (optional) or your hand while holding ass'y.

# M12 Male Field Installable Crimp Connection

## Assembly Instructions



- Strip the cable sheath and insulation.
- Insert the cable through the sealing nut,clip,seal
- Use crimping pliers(ODS P/ N:HTC 1814-C001) crimp drain or braid with crimping pliers and cut extra braid.
- Crimp wire harness with crimping pliers to the length of wire.
- Insert the shield pin vertically into the slot, follow the indicated mark: PE for male pin. Align the pin with pin holder and press it into each slot with a click
- Match the triangle mark with the slot on pin holder.
- Install the holder with a click.
- Connect the seal and the clip respectively.
- Connect the sealing nut and tighten using hand tool (optional) or your hand while holding ass'y.

# M12 Power Solution S-Code Receptacle

## Product Specifications

### General Data

Number of Positions	2+PE, 3+PE
Coding	S-Coding
Contact Housing	Nylon +GF
Shell / Screw Nut	Zinc Alloy, Nickel Plated
Terminal	Copper Alloy, Nickel Plated

### Environmental Data

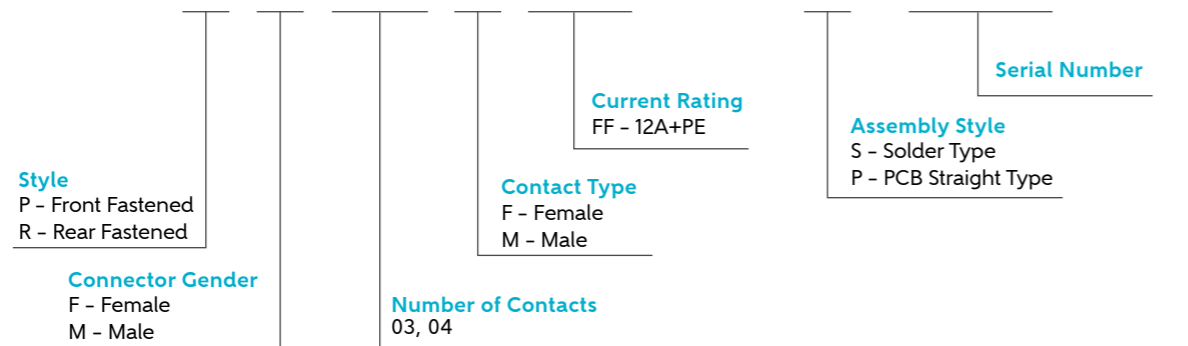
Mating Style	Screw Thread
Max Panel Thickness	4.5mm (Without Cap Chain)
Temperature Range	-40°C ~ +90°C
Salt Spray	48 hr.
Protection Class	IPX8
Durability	100 Times

### Electrical Data

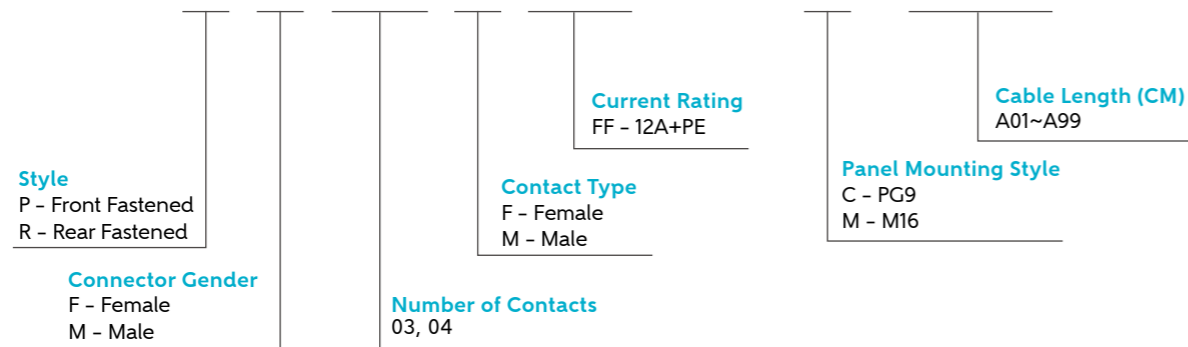
Current Rating	12A
Voltage Rating	PCB / Solder Type: 63V Panel Mount with Wire: 630V
Contact Resistance	≤ 5mΩ
Insulation Resistance	≥ 100MΩ at DC 500V
Withstanding Voltage	PCB / Solder Type: AC 840V/1 Minute Panel Mount with Wire: AC 3310V/1 Minute
Standard	IEC 61076-2-111

## How to Order

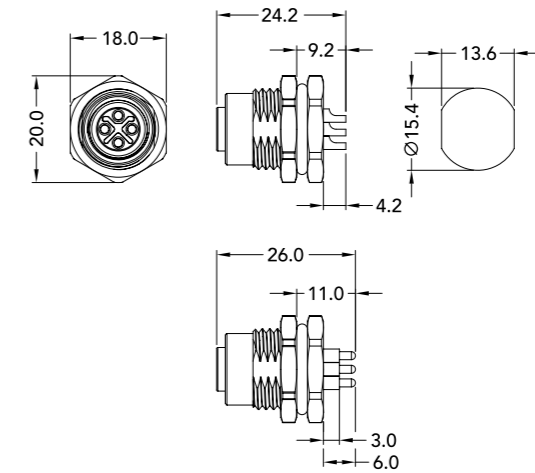
MDS X X XX X XX - SHX8XXX



MDS X X XX X XX - SHX8XXX



# M12 S-Code Receptacle Front Fastened, IPX8

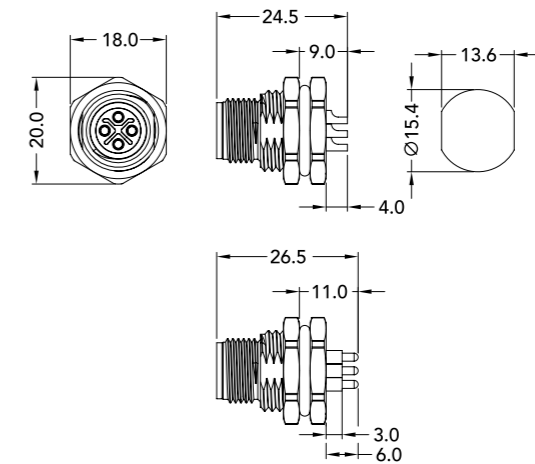


### Features and Benefits

- Female Connector, Female Pin
- IEC compliant M12 S-coded panel mount receptacles in PG9 Thread
- Fully shielded for high noise immunity
- Compact & rugged design for superior power supply applications

Part Number	Contact	Current	Voltage	Ass'y Type	Mounting
MDSPF03FFF-SHP8001	3Pin	12A	63V	PCB Straight	PG9
MDSPF04FFF-SHP8001	4Pin	12A	63V	PCB Straight	PG9
MDSPF03FFF-SHS8001	3Pin	12A	63V	Solder	PG9
MDSPF04FFF-SHS8001	4Pin	12A	63V	Solder	PG9

# M12 S-Code Receptacle Front Fastened, IPX8

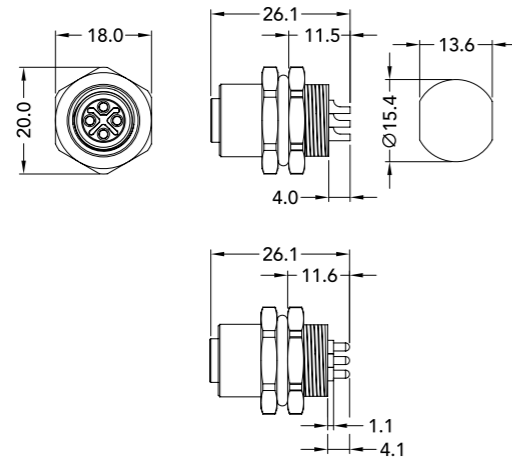


### Features and Benefits

- Male Connector, Male Pin
- IEC compliant M12 S-coded panel mount receptacles in PG9 Thread
- Fully shielded for high noise immunity
- Compact & rugged design for superior power supply applications

Part Number	Contact	Current	Voltage	Ass'y Type	Mounting
MDSPM03MFF-SHP8001	3Pin	12A	63V	PCB Straight	PG9
MDSPM04MFF-SHP8001	4Pin	12A	63V	PCB Straight	PG9
MDSPM03MFF-SHS8001	3Pin	12A	63V	Solder	PG9
MDSPM04MFF-SHS8001	4Pin	12A	63V	Solder	PG9

## M12 S-Code Receptacle Rear Fastened, IPX8

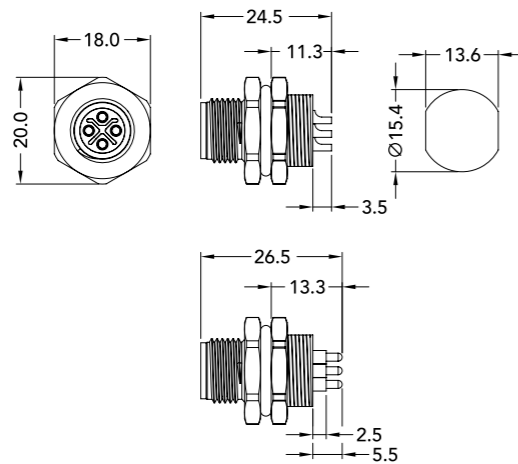


### Features and Benefits

- Female Connector, Female Pin
- IEC compliant M12 S-coded panel mount receptacles in PG9 Thread
- Fully shielded for high noise immunity
- Compact & rugged design for superior power supply applications

Part Number	Contact	Current	Voltage	Ass'y Type	Mounting
MDSRF03FFF-SHP8001	3Pin	12A	63V	PCB Straight	PC9
MDSRF04FFF-SHP8001	4Pin	12A	63V	PCB Straight	PC9
MDSRF03FFF-SHS8001	3Pin	12A	63V	Solder	PC9
MDSRF04FFF-SHS8001	4Pin	12A	63V	Solder	PC9

## M12 S-Code Receptacle Rear Fastened, IPX8

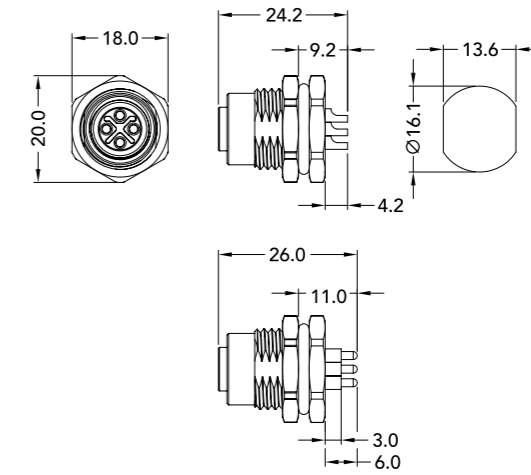


### Features and Benefits

- Male Connector, Male Pin
- IEC compliant M12 S-coded panel mount receptacles in PG9 Thread
- Fully shielded for high noise immunity
- Compact & rugged design for superior power supply applications

Part Number	Contact	Current	Voltage	Ass'y Type	Mounting
MDSRM03MFF-SHP8001	3Pin	12A	63V	PCB Straight	PC9
MDSRM04MFF-SHP8001	4Pin	12A	63V	PCB Straight	PC9
MDSRM03MFF-SHS8001	3Pin	12A	63V	Solder	PC9
MDSRM04MFF-SHS8001	4Pin	12A	63V	Solder	PC9

## M12 S-Code Receptacle Front Fastened, IPX8

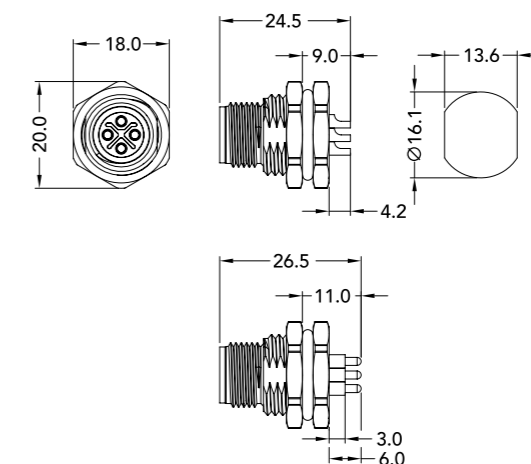


### Features and Benefits

- Female Connector, Female Pin
- IEC compliant M12 S-coded panel mount receptacles in M16 Thread
- Fully shielded for high noise immunity
- Compact & rugged design for superior power supply applications

Part Number	Contact	Current	Voltage	Ass'y Type	Mounting
MDSPF03FFF-SHP8002	3Pin	12A	63V	PCB Straight	M16
MDSPF04FFF-SHP8002	4Pin	12A	63V	PCB Straight	M16
MDSPF03FFF-SHS8002	3Pin	12A	63V	Solder	M16
MDSPF04FFF-SHS8002	4Pin	12A	63V	Solder	M16

## M12 S-Code Receptacle Front Fastened, IPX8

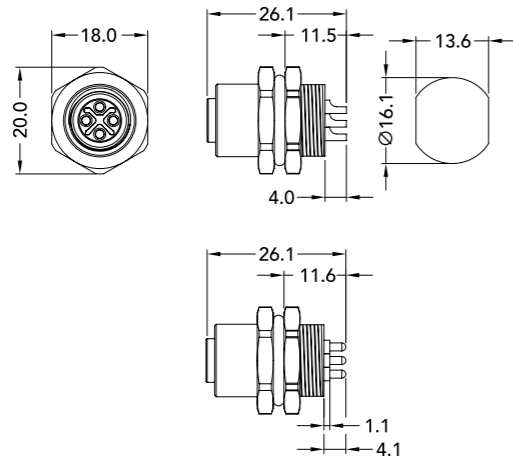


### Features and Benefits

- Male Connector, Male Pin
- IEC compliant M12 S-coded panel mount receptacles in M16 Thread
- Fully shielded for high noise immunity
- Compact & rugged design for superior power supply applications

Part Number	Contact	Current	Voltage	Ass'y Type	Mounting
MDSPM03MFF-SHP8003	3Pin	12A	63V	PCB Straight	M16
MDSPM04MFF-SHP8003	4Pin	12A	63V	PCB Straight	M16
MDSPM03MFF-SHS8003	3Pin	12A	63V	Solder	M16
MDSPM04MFF-SHS8003	4Pin	12A	63V	Solder	M16

## M12 S-Code Receptacle Rear Fastened, IPX8

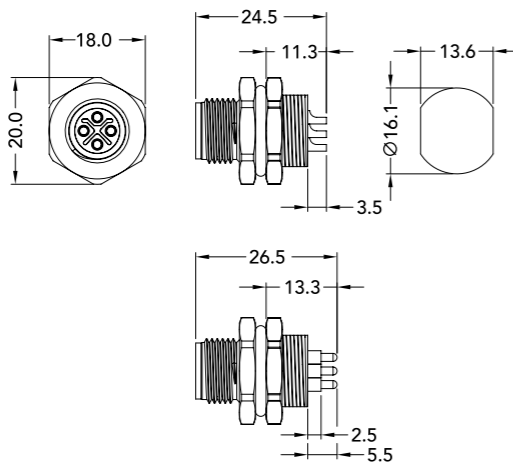


### Features and Benefits

- Female Connector, Female Pin
- IEC compliant M12 S-coded panel mount receptacles in M16 Thread
- Fully shielded for high noise immunity
- Compact & rugged design for superior power supply applications

Part Number	Contact	Current	Voltage	Ass'y Type	Mounting
MDSRF03FFF-SHP8002	3Pin	12A	63V	PCB Straight	M16
MDSRF04FFF-SHP8002	4Pin	12A	63V	PCB Straight	M16
MDSRF03FFF-SHS8002	3Pin	12A	63V	Solder	M16
MDSRF04FFF-SHS8002	4Pin	12A	63V	Solder	M16

## M12 S-Code Receptacle Rear Fastened, IPX8

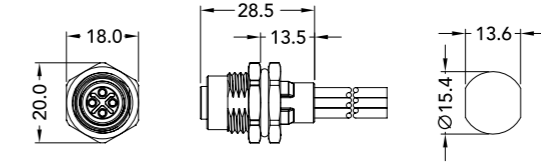


### Features and Benefits

- Male Connector, Male Pin
- IEC compliant M12 S-coded panel mount receptacles in M16 Thread
- Fully shielded for high noise immunity
- Compact & rugged design for superior power supply applications

Part Number	Contact	Current	Voltage	Ass'y Type	Mounting
MDSRM03MFF-SHP8002	3Pin	12A	63V	PCB Straight	M16
MDSRM04MFF-SHP8002	4Pin	12A	63V	PCB Straight	M16
MDSRM03MFF-SHS8002	3Pin	12A	63V	Solder	M16
MDSRM04MFF-SHS8002	4Pin	12A	63V	Solder	M16

## M12 S-Code Receptacle Front Fastened, IPX8

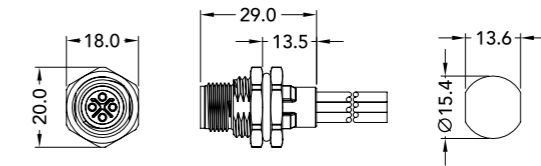


### Features and Benefits

- Female Connector, Female Pin
- IEC compliant M12 S-coded panel mount with wire in PG9 Thread
- Fully shielded for high noise immunity
- Compact & rugged design for superior power supply applications

Part Number	Contact	Current	Voltage	Ass'y Type	Mounting
MDSPF03FFF-SHC8AXX	3Pin	12A	630V	Wire Harness End Cut	PG9
MDSPF04FFF-SHC8AXX	4Pin	12A	630V	Wire Harness End Cut	PG9

## M12 S-Code Receptacle Front Fastened, IPX8

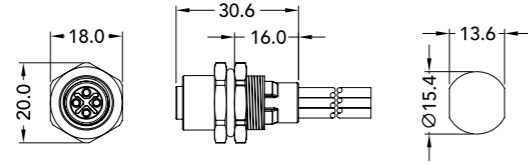


### Features and Benefits

- Male Connector, Male Pin
- IEC compliant M12 S-coded panel mount with wire in PG9 Thread
- Fully shielded for high noise immunity
- Compact & rugged design for superior power supply applications

Part Number	Contact	Current	Voltage	Ass'y Type	Mounting
MDSPM03MFF-SHC8AXX	3Pin	12A	630V	Wire Harness End Cut	PG9
MDSPM04MFF-SHC8AXX	4Pin	12A	630V	Wire Harness End Cut	PG9

## M12 S-Code Receptacle Rear Fastened, IPX8

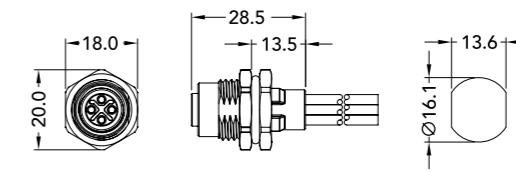


### Features and Benefits

- **Female Connector, Female Pin**
- IEC compliant M12 S-coded panel mount with wire in PG9 Thread
- Fully shielded for high noise immunity
- Compact & rugged design for superior power supply applications

Part Number	Contact	Current	Voltage	Ass'y Type	Mounting
MDSRF03FFF-SHC8AXX	3Pin	12A	630V	Wire Harness End Cut	PC9
MDSRF04FFF-SHC8AXX	4Pin	12A	630V	Wire Harness End Cut	PC9

## M12 S-Code Receptacle Front Fastened, IPX8

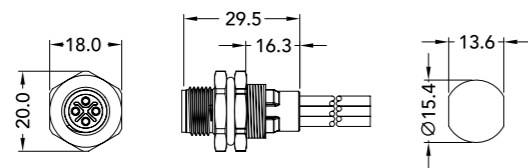


### Features and Benefits

- **Female Connector, Female Pin**
- IEC compliant M12 S-coded panel mount with wire in M16 Thread
- Fully shielded for high noise immunity
- Compact & rugged design for superior power supply applications

Part Number	Contact	Current	Voltage	Ass'y Type	Mounting
MDSPF03FFF-SHM8AXX	3Pin	12A	630V	Wire Harness End Cut	M16
MDSPF04FFF-SHM8AXX	4Pin	12A	630V	Wire Harness End Cut	M16

## M12 S-Code Receptacle Rear Fastened, IPX8

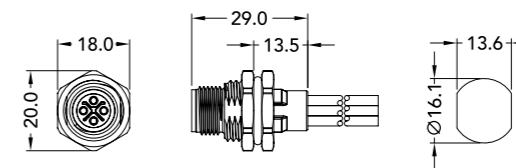


### Features and Benefits

- **Male Connector, Male Pin**
- IEC compliant M12 S-coded panel mount with wire in PG9 Thread
- Fully shielded for high noise immunity
- Compact & rugged design for superior power supply applications

Part Number	Contact	Current	Voltage	Ass'y Type	Mounting
MDSRM03MFF-SHC8AXX	3Pin	12A	630V	Wire Harness End Cut	PC9
MDSRM04MFF-SHC8AXX	4Pin	12A	630V	Wire Harness End Cut	PC9

## M12 S-Code Receptacle Front Fastened, IPX8



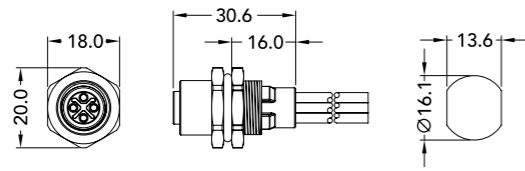
### Features and Benefits

- **Male Connector, Male Pin**
- IEC compliant M12 S-coded panel mount with wire in M16 Thread
- Fully shielded for high noise immunity
- Compact & rugged design for superior power supply applications

Part Number	Contact	Current	Voltage	Ass'y Type	Mounting
MDSPM03MFF-SHM8AXX	3Pin	12A	630V	Wire Harness End Cut	M16
MDSPM04MFF-SHM8AXX	4Pin	12A	630V	Wire Harness End Cut	M16



## M12 S-Code Receptacle Rear Fastened, IPX8

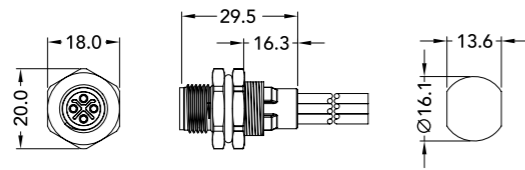


### Features and Benefits

- **Female Connector, Female Pin**
- IEC compliant M12 S-coded panel mount with wire in M16 Thread
- Fully shielded for high noise immunity
- Compact & rugged design for superior power supply applications

Part Number	Contact	Current	Voltage	Ass'y Type	Mounting
MDSRF03FFF-SHM8AXX	3Pin	12A	630V	Wire Harness End Cut	M16
MDSRF04FFF-SHM8AXX	4Pin	12A	630V	Wire Harness End Cut	M16

## M12 S-Code Receptacle Rear Fastened, IPX8



### Features and Benefits

- **Male Connector, Male Pin**
- IEC compliant M12 S-coded panel mount with wire in M16 Thread
- Fully shielded for high noise immunity
- Compact & rugged design for superior power supply applications

Part Number	Contact	Current	Voltage	Ass'y Type	Mounting
MDSRM03MFF-SHM8AXX	3Pin	12A	630V	Wire Harness End Cut	M16
MDSRM04MFF-SHM8AXX	4Pin	12A	630V	Wire Harness End Cut	M16

## M12 Power Solution S-Code Cable Assembly

### Product Specifications

#### General Data

Number of Positions	2+PE, 3+PE
Coding	S-Coding
Contact Housing	Nylon +GF
Screw Nut	Copper Alloy, Nickel Plated
Terminal	Copper Alloy, Nickel Plated

#### Environmental Data

Mating Style	Screw Thread
Temperature Range	-20°C ~ +80°C
Salt Spray	48 hr.
Protection Class	IPX7 (Mated)
Durability	100 Times
Assemble Type	Cable End Cut

#### Electrical Data

Current Rating	12A
Voltage Rating	630V
Contact Resistance	≤ 5mΩ
Withstanding Voltage	AC 3310V/1 Minute
Standard	IEC 61076-2-111

### How to Order

ESSBX XX X XX - SLC7XXX

Connector Gender  
F - Female  
M - Male

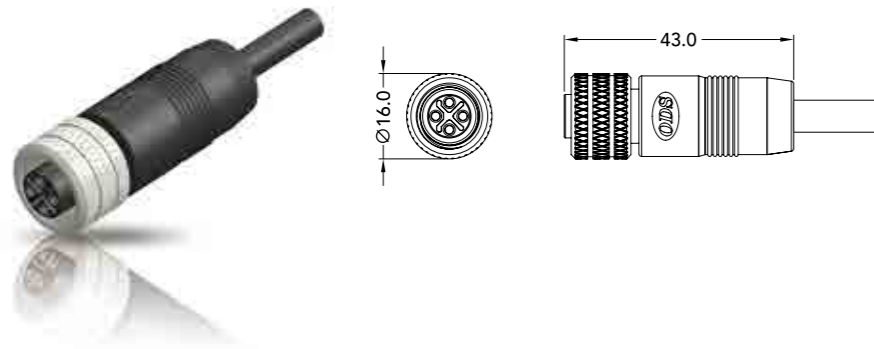
Current Rating  
FF - 12A+PE

Cable Type / Length (M)  
A01~A99

Contact Type  
F - Female  
M - Male

Number of Contacts  
03, 04

## M12 S-Code Cable Assembly Straight, IPX7 (Mated)

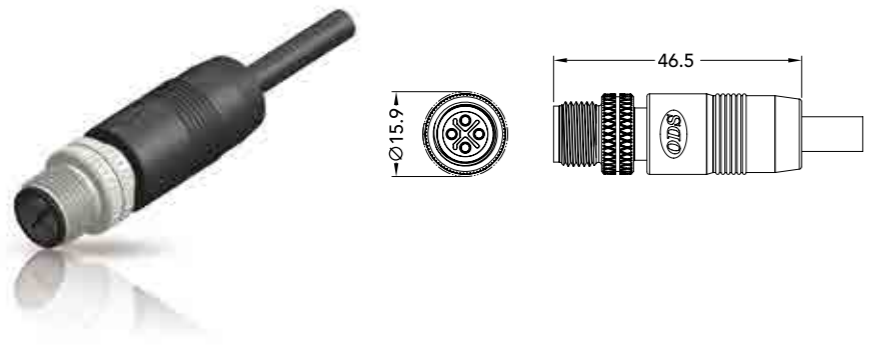


### Features and Benefits

- **Female Connector, Female Pin**
- IEC compliant M12 S-coded cable assemblies with threaded couplers
- Fully shielded for high noise immunity
- Compact & rugged design for superior power supply applications

Part Number	Contact	Current	Voltage
ESSBF03FFF-SLC7AXX	3Pin	12A	630V
ESSBF04FFF-SLC7AXX	4Pin	12A	630V

## M12 S-Code Cable Assembly Straight, IPX7 (Mated)



### Features and Benefits

- **Male Connector, Male Pin**
- IEC compliant M12 S-coded cable assemblies with threaded couplers
- Fully shielded for high noise immunity
- Compact & rugged design for superior power supply applications

Part Number	Contact	Current	Voltage
ESSBM03MFF-SLC7AXX	3Pin	12A	630V
ESSBM04MFF-SLC7AXX	4Pin	12A	630V

## M12 Power Solution S-Code Field Installable Screw In

### Product Specifications

#### General Data

Number of Positions	3P, 4P
Coding	S-Coding
Contact Housing	Nylon +GF
Screw Nut	Zinc Alloy, Nickel Plated
Terminal	Copper Alloy, Nickel Plated

#### Electrical Data

Current Rating	12A
Voltage Rating	630V
Contact Resistance	≤ 5mΩ
Insulation Resistance	≥ 100MΩ at DC 500V
Withstanding Voltage	AC 3310V/1 Minute
Standard	IEC 61076-2-111

#### Environmental Data

Mating Style	Screw Thread
Wire Gauge	16 AWG ~ 20 AWG
Cable OD	Seal 1: O.D= Φ6~Φ8mm Seal 2: O.D.= Φ8~Φ10mm
Temperature Range	-25°C ~ +85°C
Salt Spray	48 hr.
Protection Class	IPX7 (Mated)
Durability	100 Times
Mode of Connection	Screw-In Terminals

### How to Order

MASDX XX X FF - SXW7XXX

**Connector Gender**  
F - Female  
M - Male

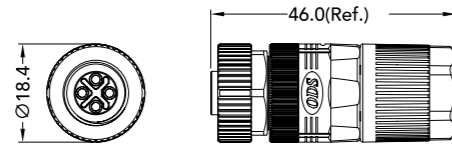
**Contact Type**  
F - Female  
M - Male

**Number of Contacts**  
03, 04

**Backshell**  
L - Straight  
R - Right Angle

**Serial Number**

## M12 S-Code Field Installable Screw In Straight, IPX7 (Mated)



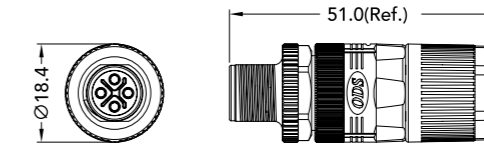
### Features and Benefits

- **Female Connector, Female Pin**
- IEC compliant M12 S-coded field installable with threaded couplers
- Preassembled contact carries with screw terminals provides easy field termination of conductors
- Compact & rugged design for superior power supply applications

Part Number	Contact	Current	Voltage	Cable Range
MASDF03FFF-SLW7001	3Pin	12A	630V	Φ6.0mm~Φ8.0mm
MASDF04FFF-SLW7001	4Pin	12A	630V	Φ6.0mm~Φ8.0mm

Part Number	Contact	Current	Voltage	Cable Range
MASDF03FFF-SLW7002	3Pin	12A	630V	Φ8.0mm~Φ10.0mm
MASDF04FFF-SLW7002	4Pin	12A	630V	Φ8.0mm~Φ10.0mm

## M12 S-Code Field Installable Screw In Straight, IPX7 (Mated)



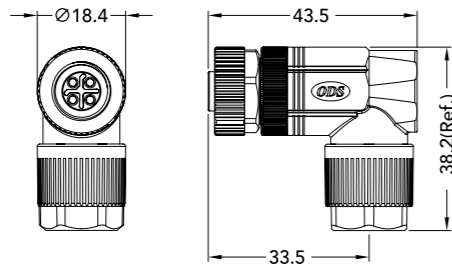
### Features and Benefits

- **Male Connector, Male Pin**
- IEC compliant M12 S-coded field installable with threaded couplers
- Preassembled contact carries with screw terminals provides easy field termination of conductors
- Compact & rugged design for superior power supply applications

Part Number	Contact	Current	Voltage	Cable Range
MASDM03MFF-SLW7001	3Pin	12A	630V	Φ6.0mm~Φ8.0mm
MASDM04MFF-SLW7001	4Pin	12A	630V	Φ6.0mm~Φ8.0mm

Part Number	Contact	Current	Voltage	Cable Range
MASDM03MFF-SLW7002	3Pin	12A	630V	Φ8.0mm~Φ10.0mm
MASDM04MFF-SLW7002	4Pin	12A	630V	Φ8.0mm~Φ10.0mm

## M12 S-Code Field Installable Screw In Angled, IPX7 (Mated)



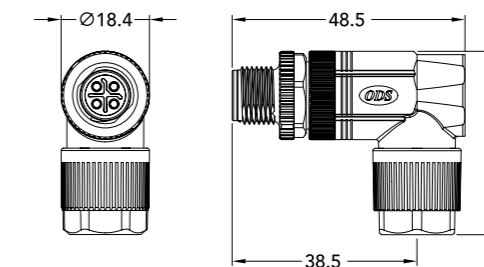
### Features and Benefits

- **Female Connector, Female Pin**
- IEC compliant M12 S-coded field installable with threaded couplers
- Preassembled contact carries with screw terminals provides easy field termination of conductors
- Compact & rugged design for superior power supply applications

Part Number	Contact	Current	Voltage	Cable Range
MASDF03FFF-SRW7001	3Pin	12A	630V	Φ6.0mm~Φ8.0mm
MASDF04FFF-SRW7001	4Pin	12A	630V	Φ6.0mm~Φ8.0mm

Part Number	Contact	Current	Voltage	Cable Range
MASDF03FFF-SRW7002	3Pin	12A	630V	Φ8.0mm~Φ10.0mm
MASDF04FFF-SRW7002	4Pin	12A	630V	Φ8.0mm~Φ10.0mm

## M12 S-Code Field Installable Screw In Angled, IPX7 (Mated)



### Features and Benefits

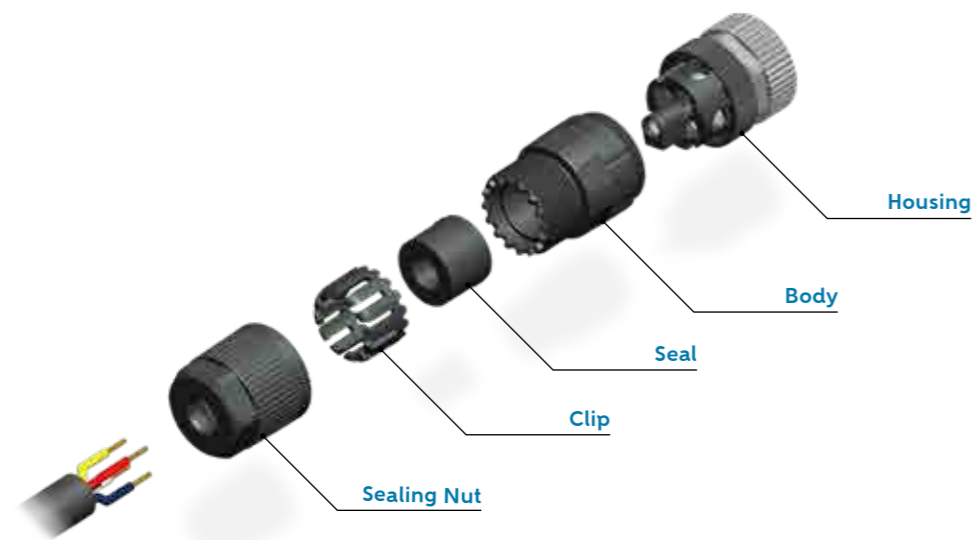
- **Male Connector, Male Pin**
- IEC compliant M12 S-coded field installable with threaded couplers
- Preassembled contact carries with screw terminals provides easy field termination of conductors
- Compact & rugged design for superior power supply applications

Part Number	Contact	Current	Voltage	Cable Range
MASDM03MFF-SRW7001	3Pin	12A	630V	Φ6.0mm~Φ8.0mm
MASDM04MFF-SRW7001	4Pin	12A	630V	Φ6.0mm~Φ8.0mm

Part Number	Contact	Current	Voltage	Cable Range
MASDM03MFF-SRW7002	3Pin	12A	630V	Φ8.0mm~Φ10.0mm
MASDM04MFF-SRW7002	4Pin	12A	630V	Φ8.0mm~Φ10.0mm

## M12 S-Code Female Field Installable (Screw In)

### Assembly Instructions



1



Strip the cable sheath and insulation.

2



Insert the cable through the sealing nut, clip, seal and body.

3



Unscrew the screws.

4



Insert each wire to the respective hole and tighten each screw.

5



Connect and tighten the body.

6



Connect the seal and the clip respectively.

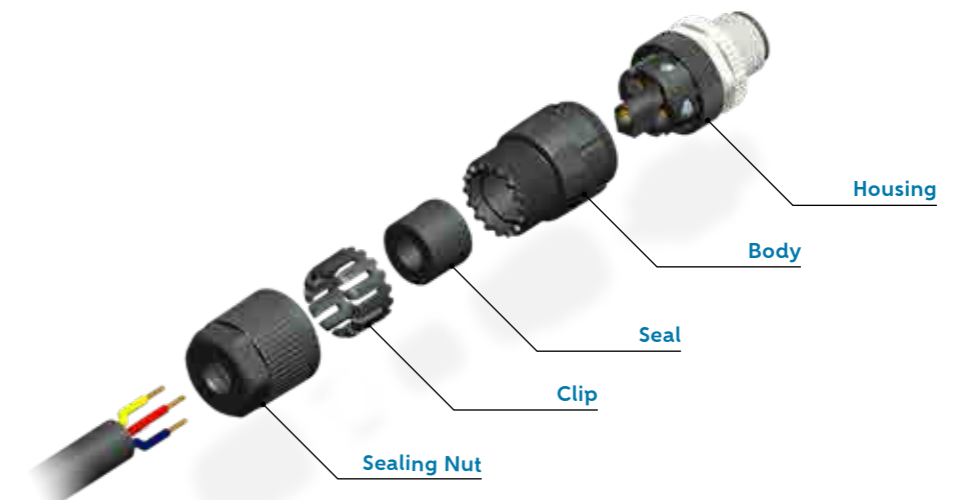
7



Connect the sealing nut and tighten using hand tool (optional) or your hand while holding ass'y.

## M12 S-Code Male Field Installable (Screw In)

### Assembly Instructions



1



Strip the cable sheath and insulation.

2



Insert the cable through the sealing nut, clip, seal and body.

3



Unscrew the screws.

4



Insert each wire to the respective hole and tighten each screw.

5



Connect and tighten the body.

6



Connect the seal and the clip respectively.

7



Connect the sealing nut and tighten using hand tool (optional) or your hand while holding ass'y.

# M12 Power Solution T-Code Receptacle

## Product Specifications

### General Data

Number of Positions	2P+FE, 3P+FE
Coding	T-Coding
Contact Housing	Nylon +GF
Shell / Screw Nut	Zinc Alloy, Nickel Plated
Terminal	Copper Alloy, Nickel Plated

### Environmental Data

Mating Style	Screw Thread
Max Panel Thickness	4.5mm (Without Cap Chain)
Temperature Range	-40°C ~ +90°C
Salt Spray	48 hr.
Protection Class	IPX8
Durability	100 Times

### Electrical Data

Current Rating	12A
Voltage Rating	63V
Contact Resistance	≤ 5mΩ
Insulation Resistance	≥ 100MΩ at DC 500V
Withstanding Voltage	AC 840V/1 Minute
Standard	IEC 61076-2-111

## How to Order

MDT X X XX X XX - SHX8XXX

#### Style

P - Front Fastened  
R - Rear Fastened

#### Connector Gender

F - Female  
M - Male

#### Number of Contacts

03, 04

#### Contact Type

F - Female  
M - Male

#### Current Rating

FF - 12A+FE

#### Assembly Style

S - Solder Type  
P - PCB Straight Type

#### Serial Number

MDT X X XX X XX - SHX8XXX

#### Style

P - Front Fastened  
R - Rear Fastened

#### Connector Gender

F - Female  
M - Male

#### Number of Contacts

03, 04

#### Contact Type

F - Female  
M - Male

#### Panel Mounting Style

C - PG9  
M - M16

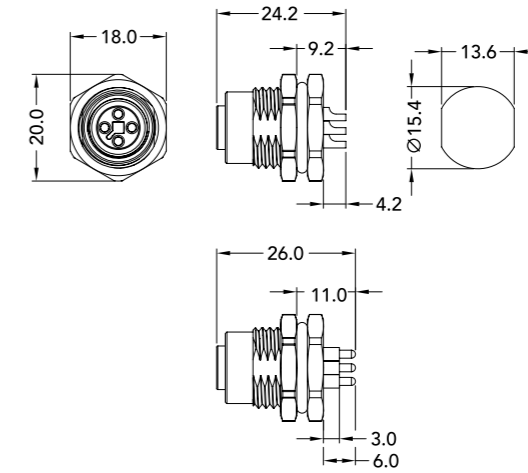
#### Current Rating

FF - 12A+FE

#### Cable Length (CM)

A01~A99

# M12 T-Code Receptacle Front Fastened, IPX8

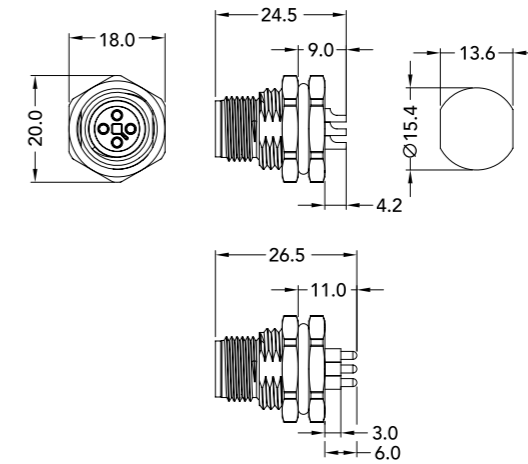


### Features and Benefits

- Female Connector, Female Pin
- IEC compliant M12 T-coded panel mount receptacles in PG9 Thread
- Fully shielded for high noise immunity
- Compact & rugged design for superior power supply applications

Part Number	Contact	Current	Voltage	Ass'y Type	Mounting
MDTPF03FFF-SHP8001	3Pin	12A	63V	PCB Straight	PG9
MDTPF04FFF-SHP8001	4Pin	12A	63V	PCB Straight	PG9
MDTPF03FFF-SHS8001	3Pin	12A	63V	Solder	PG9
MDTPF04FFF-SHS8001	4Pin	12A	63V	Solder	PG9

# M12 T-Code Receptacle Front Fastened, IPX8

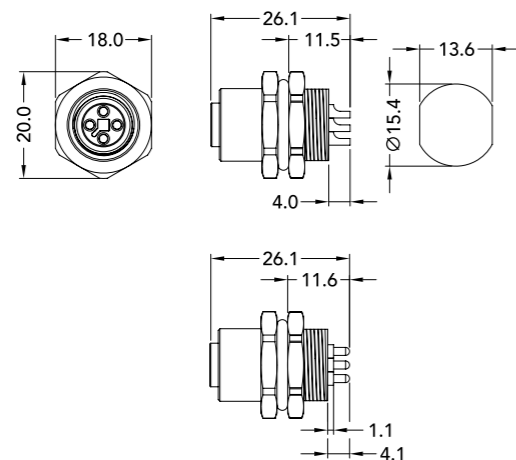


### Features and Benefits

- Male Connector, Male Pin
- IEC compliant M12 T-coded panel mount receptacles in PG9 Thread
- Fully shielded for high noise immunity
- Compact & rugged design for superior power supply applications

Part Number	Contact	Current	Voltage	Ass'y Type	Mounting
MDTPM03MFF-SHP8001	3Pin	12A	63V	PCB Straight	PG9
MDTPM04MFF-SHP8001	4Pin	12A	63V	PCB Straight	PG9
MDTPM03MFF-SHS8001	3Pin	12A	63V	Solder	PG9
MDTPM04MFF-SHS8001	4Pin	12A	63V	Solder	PG9

## M12 T-Code Receptacle Rear Fastened, IPX8

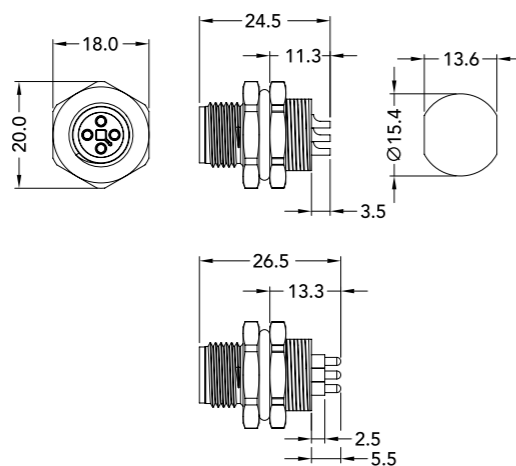


### Features and Benefits

- Female Connector, Female Pin
- IEC compliant M12 T-coded panel mount receptacles in PG9 Thread
- Fully shielded for high noise immunity
- Compact & rugged design for superior power supply applications

Part Number	Contact	Current	Voltage	Ass'y Type	Mounting
MDTRF03FFF-SHP8001	3Pin	12A	63V	PCB Straight	PG9
MDTRF04FFF-SHP8001	4Pin	12A	63V	PCB Straight	PG9
MDTRF03FFF-SHS8001	3Pin	12A	63V	Solder	PG9
MDTRF04FFF-SHS8001	4Pin	12A	63V	Solder	PG9

## M12 T-Code Receptacle Rear Fastened, IPX8

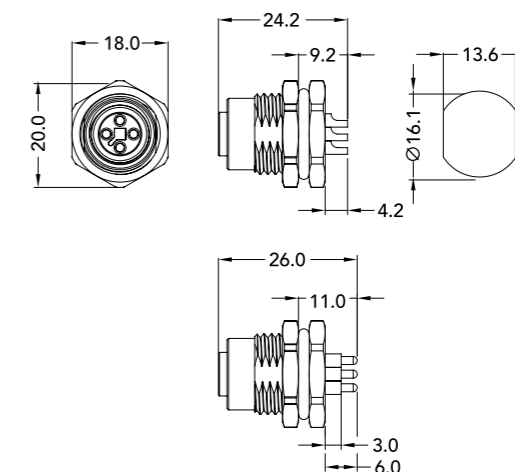


### Features and Benefits

- Male Connector, Male Pin
- IEC compliant M12 T-coded panel mount receptacles in PG9 Thread
- Fully shielded for high noise immunity
- Compact & rugged design for superior power supply applications

Part Number	Contact	Current	Voltage	Ass'y Type	Mounting
MDTRM03MFF-SHP8001	3Pin	12A	63V	PCB Straight	PG9
MDTRM04MFF-SHP8001	4Pin	12A	63V	PCB Straight	PG9
MDTRM03MFF-SHS8001	3Pin	12A	63V	Solder	PG9
MDTRM04MFF-SHS8001	4Pin	12A	63V	Solder	PG9

## M12 T-Code Receptacle Front Fastened, IPX8

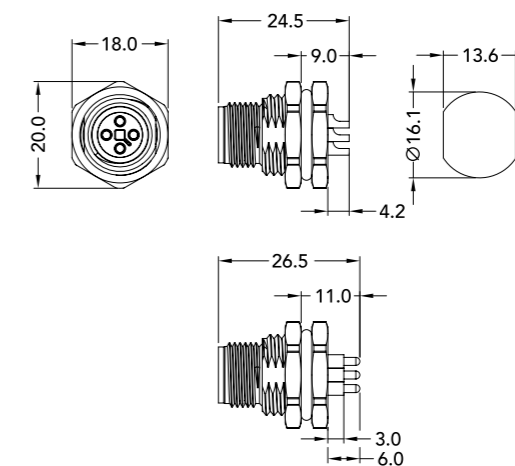


### Features and Benefits

- Female Connector, Female Pin
- IEC compliant M12 T-coded panel mount receptacles in M16 Thread
- Fully shielded for high noise immunity
- Compact & rugged design for superior power supply applications

Part Number	Contact	Current	Voltage	Ass'y Type	Mounting
MDTPF03FFF-SHP8002	3Pin	12A	63V	PCB Straight	M16
MDTPF04FFF-SHP8002	4Pin	12A	63V	PCB Straight	M16
MDTPF03FFF-SHS8002	3Pin	12A	63V	Solder	M16
MDTPF04FFF-SHS8002	4Pin	12A	63V	Solder	M16

## M12 T-Code Receptacle Front Fastened, IPX8

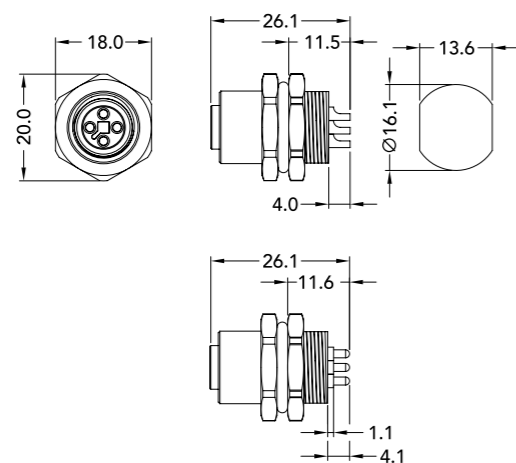


### Features and Benefits

- Male Connector, Male Pin
- IEC compliant M12 T-coded panel mount receptacles in M16 Thread
- Fully shielded for high noise immunity
- Compact & rugged design for superior power supply applications

Part Number	Contact	Current	Voltage	Ass'y Type	Mounting
MDTPM03MFF-SHP8003	3Pin	12A	63V	PCB Straight	M16
MDTPM04MFF-SHP8003	4Pin	12A	63V	PCB Straight	M16
MDTPM03MFF-SHS8003	3Pin	12A	63V	Solder	M16
MDTPM04MFF-SHS8003	4Pin	12A	63V	Solder	M16

## M12 T-Code Receptacle Rear Fastened, IPX8

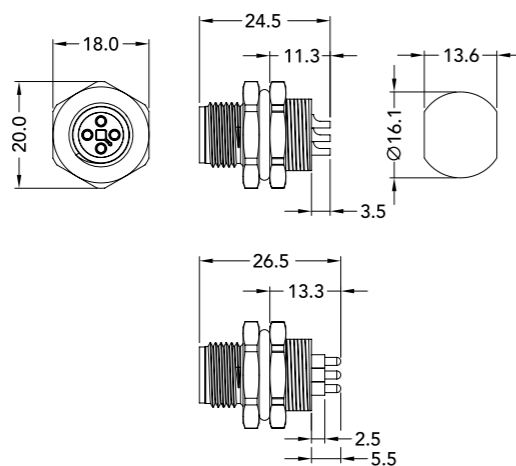


### Features and Benefits

- Female Connector, Female Pin
- IEC compliant M12 T-coded panel mount receptacles in M16 Thread
- Fully shielded for high noise immunity
- Compact & rugged design for superior power supply applications

Part Number	Contact	Current	Voltage	Ass'y Type	Mounting
MDTRF03FFF-SHP8002	3Pin	12A	63V	PCB Straight	M16
MDTRF04FFF-SHP8002	4Pin	12A	63V	PCB Straight	M16
MDTRF03FFF-SHS8002	3Pin	12A	63V	Solder	M16
MDTRF04FFF-SHS8002	4Pin	12A	63V	Solder	M16

## M12 T-Code Receptacle Rear Fastened, IPX8

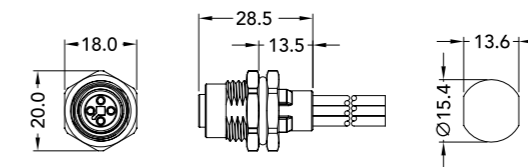


### Features and Benefits

- Male Connector, Male Pin
- IEC compliant M12 T-coded panel mount receptacles in M16 Thread
- Fully shielded for high noise immunity
- Compact & rugged design for superior power supply applications

Part Number	Contact	Current	Voltage	Ass'y Type	Mounting
MDTRM03MFF-SHP8002	3Pin	12A	63V	PCB Straight	M16
MDTRM04MFF-SHP8002	4Pin	12A	63V	PCB Straight	M16
MDTRM03MFF-SHS8002	3Pin	12A	63V	Solder	M16
MDTRM04MFF-SHS8002	4Pin	12A	63V	Solder	M16

## M12 T-Code Receptacle Front Fastened, IPX8

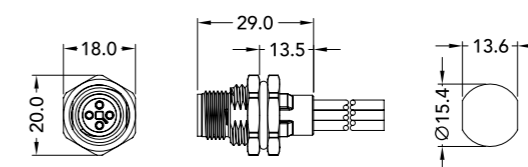


### Features and Benefits

- Female Connector, Female Pin
- IEC compliant M12 T-coded panel mount with wire in PG9 Thread
- Fully shielded for high noise immunity
- Compact & rugged design for superior power supply applications

Part Number	Contact	Current	Voltage	Ass'y Type	Mounting
MDTPF03FFF-SHC8AXX	3Pin	12A	63V	Wire Harness End Cut	PG9
MDTPF04FFF-SHC8AXX	4Pin	12A	63V	Wire Harness End Cut	PG9

## M12 T-Code Receptacle Front Fastened, IPX8

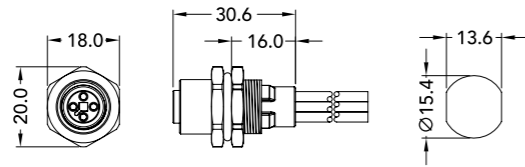


### Features and Benefits

- Male Connector, Male Pin
- IEC compliant M12 T-coded panel mount with wire in PG9 Thread
- Fully shielded for high noise immunity
- Compact & rugged design for superior power supply applications

Part Number	Contact	Current	Voltage	Ass'y Type	Mounting
MDTPM03MFF-SHC8AXX	3Pin	12A	63V	Wire Harness End Cut	PG9
MDTPM04MFF-SHC8AXX	4Pin	12A	63V	Wire Harness End Cut	PG9

## M12 T-Code Receptacle Rear Fastened, IPX8

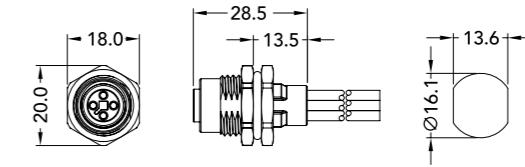


### Features and Benefits

- **Female Connector, Female Pin**
- IEC compliant M12 T-coded panel mount with wire in PG9 Thread
- Fully shielded for high noise immunity
- Compact & rugged design for superior power supply applications

Part Number	Contact	Current	Voltage	Ass'y Type	Mounting
MDTRF03FFF-SHC8AXX	3Pin	12A	63V	Wire Harness End Cut	PG9
MDTRF04FFF-SHC8AXX	4Pin	12A	63V	Wire Harness End Cut	PG9

## M12 T-Code Receptacle Front Fastened, IPX8

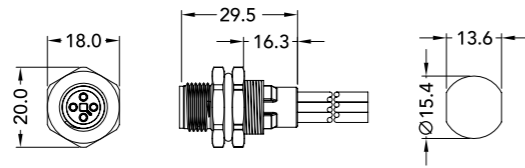


### Features and Benefits

- **Female Connector, Female Pin**
- IEC compliant M12 T-coded panel mount with wire in M16 Thread
- Fully shielded for high noise immunity
- Compact & rugged design for superior power supply applications

Part Number	Contact	Current	Voltage	Ass'y Type	Mounting
MDTPF03FFF-SHM8AXX	3Pin	12A	63V	Wire Harness End Cut	M16
MDTPF04FFF-SHM8AXX	4Pin	12A	63V	Wire Harness End Cut	M16

## M12 T-Code Receptacle Rear Fastened, IPX8

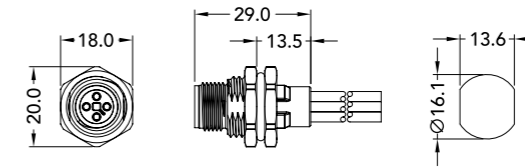


### Features and Benefits

- **Male Connector, Male Pin**
- IEC compliant M12 T-coded panel mount with wire in PG9 Thread
- Fully shielded for high noise immunity
- Compact & rugged design for superior power supply applications

Part Number	Contact	Current	Voltage	Ass'y Type	Mounting
MDTRM03MFF-SHC8AXX	3Pin	12A	63V	Wire Harness End Cut	PG9
MDTRM04MFF-SHC8AXX	4Pin	12A	63V	Wire Harness End Cut	PG9

## M12 T-Code Receptacle Front Fastened, IPX8



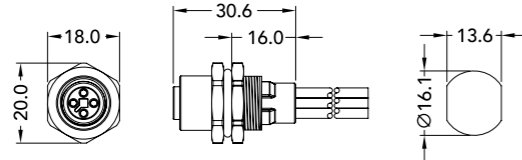
### Features and Benefits

- **Male Connector, Male Pin**
- IEC compliant M12 T-coded panel mount with wire in M16 Thread
- Fully shielded for high noise immunity
- Compact & rugged design for superior power supply applications

Part Number	Contact	Current	Voltage	Ass'y Type	Mounting
MDTPM03MFF-SHM8AXX	3Pin	12A	63V	Wire Harness End Cut	M16
MDTPM04MFF-SHM8AXX	4Pin	12A	63V	Wire Harness End Cut	M16



## M12 T-Code Receptacle Rear Fastened, IPX8

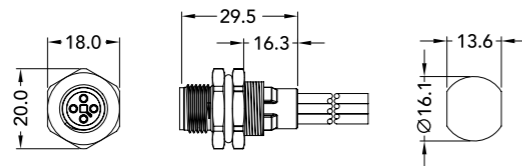


### Features and Benefits

- **Female Connector, Female Pin**
- IEC compliant M12 T-coded panel mount with wire in M16 Thread
- Fully shielded for high noise immunity
- Compact & rugged design for superior power supply applications

Part Number	Contact	Current	Voltage	Ass'y Type	Mounting
MDTRF03FFF-SHM8AXX	3Pin	12A	63V	Wire Harness End Cut	M16
MDTRF04FFF-SHM8AXX	4Pin	12A	63V	Wire Harness End Cut	M16

## M12 T-Code Receptacle Rear Fastened, IPX8



### Features and Benefits

- **Male Connector, Male Pin**
- IEC compliant M12 T-coded panel mount with wire in M16 Thread
- Fully shielded for high noise immunity
- Compact & rugged design for superior power supply applications

Part Number	Contact	Current	Voltage	Ass'y Type	Mounting
MDTRM03MFF-SHM8AXX	3Pin	12A	63V	Wire Harness End Cut	M16
MDTRM04MFF-SHM8AXX	4Pin	12A	63V	Wire Harness End Cut	M16

## M12 Power Solution T-Code Cable Assembly

### Product Specifications

#### General Data

Number of Positions	2P+FE, 3P+FE
Coding	T-Coding
Contact Housing	Nylon +GF
Screw Nut	Copper Alloy, Nickel Plated
Terminal	Copper Alloy, Nickel Plated

#### Environmental Data

Mating Style	Screw Thread
Temperature Range	-20°C ~ +80°C
Salt Spray	48 hr.
Protection Class	IPX7 (Mated)
Durability	100 Times
Assemble Type	Cable End Cut

#### Electrical Data

Current Rating	12A
Voltage Rating	63V
Contact Resistance	≤ 5mΩ
Withstanding Voltage	AC 840V/1 Minute
Standard	IEC 61076-2-111

### How to Order

ESTBX XX X XX - SLC7XXX

Connector Gender  
F - Female  
M - Male

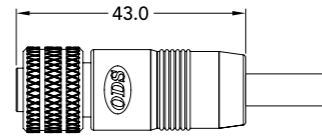
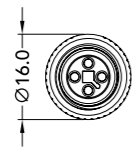
Current Rating  
FF - 12A+FE

Cable Type / Length (M)  
A01~A99

Contact Type  
F - Female  
M - Male

Number of Contacts  
03, 04

## M12 T-Code Cable Assembly Straight, IPX7 (Mated)

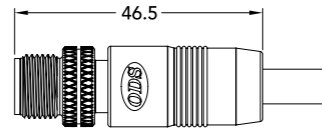


### Features and Benefits

- **Female Connector, Female Pin**
- IEC compliant M12 T-coded cable assemblies with threaded couplers
- Fully shielded for high noise immunity
- Compact & rugged design for superior power supply applications

Part Number	Contact	Current	Voltage
ESTBF03FFF-SLC7AXX	3Pin	12A	63V
ESTBF04FFF-SLC7AXX	4Pin	12A	63V

## M12 T-Code Cable Assembly Straight, IPX7 (Mated)



### Features and Benefits

- **Male Connector, Male Pin**
- IEC compliant M12 T-coded cable assemblies with threaded couplers
- Fully shielded for high noise immunity
- Compact & rugged design for superior power supply applications

Part Number	Contact	Current	Voltage
ESTBM03MFF-SLC7AXX	3Pin	12A	63V
ESTBM04MFF-SLC7AXX	4Pin	12A	63V

## M12 Power Solution T-Code Field Installable Screw In

### Product Specifications

#### General Data

Number of Positions	3P, 4P
Coding	T-Coding
Contact Housing	Nylon +GF
Screw Nut	Zinc Alloy, Nickel Plated
Terminal	Copper Alloy, Nickel Plated

#### Electrical Data

Current Rating	12A
Voltage Rating	63V
Contact Resistance	≤ 5mΩ
Insulation Resistance	≥ 100MΩ at DC 500V
Withstanding Voltage	AC 840V/1 Minute
Standard	IEC 61076-2-111

#### Environmental Data

Mating Style	Screw Thread
Wire Gauge	16 AWG ~ 20 AWG
Cable OD	Seal 1: O.D.= Φ6~Φ8mm Seal 2: O.D.= Φ8~Φ10mm
Temperature Range	-25°C ~ +85°C
Salt Spray	48 hr.
Protection Class	IPX7 (Mated)
Durability	100 Times
Mode of Connection	Screw-In Terminals

### How to Order

**MATDX XX X FF - SXW7XXX**

**Connector Gender**  
F - Female  
M - Male

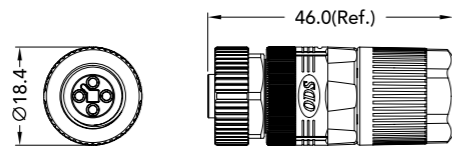
**Contact Type**  
F - Female  
M - Male

**Number of Contacts**  
03, 04

**Backshell**  
L - Straight  
R - Right Angle

**Serial Number**

## M12 T-Code Field Installable Screw In Straight, IPX7 (Mated)



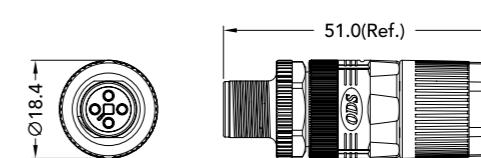
### Features and Benefits

- **Female Connector, Female Pin**
- IEC compliant M12 T-coded field installable with threaded couplers
- Preassembled contact carries with screw terminals provides easy field termination of conductors
- Compact & rugged design for superior power supply applications

Part Number	Contact	Current	Voltage	Cable Range
MATDF03FFF-SLW7001	3Pin	12A	63V	Φ6.0mm~Φ8.0mm
MATDF04FFF-SLW7001	4Pin	12A	63V	Φ6.0mm~Φ8.0mm

Part Number	Contact	Current	Voltage	Cable Range
MATDF03FFF-SLW7002	3Pin	12A	63V	Φ8.0mm~Φ10.0mm
MATDF04FFF-SLW7002	4Pin	12A	63V	Φ8.0mm~Φ10.0mm

## M12 T-Code Field Installable Screw In Straight, IPX7 (Mated)



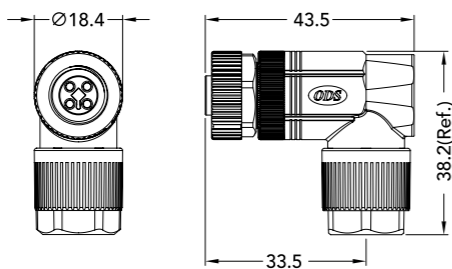
### Features and Benefits

- **Male Connector, Male Pin**
- IEC compliant M12 T-coded field installable with threaded couplers
- Preassembled contact carries with screw terminals provides easy field termination of conductors
- Compact & rugged design for superior power supply applications

Part Number	Contact	Current	Voltage	Cable Range
MATDM03MFF-SLW7001	3Pin	12A	63V	Φ6.0mm~Φ8.0mm
MATDM04MFF-SLW7001	4Pin	12A	63V	Φ6.0mm~Φ8.0mm

Part Number	Contact	Current	Voltage	Cable Range
MATDM03MFF-SLW7002	3Pin	12A	63V	Φ8.0mm~Φ10.0mm
MATDM04MFF-SLW7002	4Pin	12A	63V	Φ8.0mm~Φ10.0mm

## M12 T-Code Field Installable Screw In Angled, IPX7 (Mated)



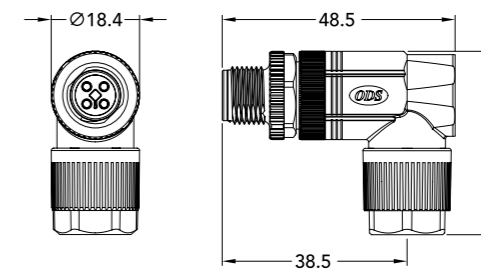
### Features and Benefits

- **Female Connector, Female Pin**
- IEC compliant M12 T-coded field installable with threaded couplers
- Preassembled contact carries with screw terminals provides easy field termination of conductors
- Compact & rugged design for superior power supply applications

Part Number	Contact	Current	Voltage	Cable Range
MATDF03FFF-SRW7001	3Pin	12A	63V	Φ6.0mm~Φ8.0mm
MATDF04FFF-SRW7001	4Pin	12A	63V	Φ6.0mm~Φ8.0mm

Part Number	Contact	Current	Voltage	Cable Range
MATDF03FFF-SRW7002	3Pin	12A	63V	Φ8.0mm~Φ10.0mm
MATDF04FFF-SRW7002	4Pin	12A	63V	Φ8.0mm~Φ10.0mm

## M12 T-Code Field Installable Screw In Angled, IPX7 (Mated)



### Features and Benefits

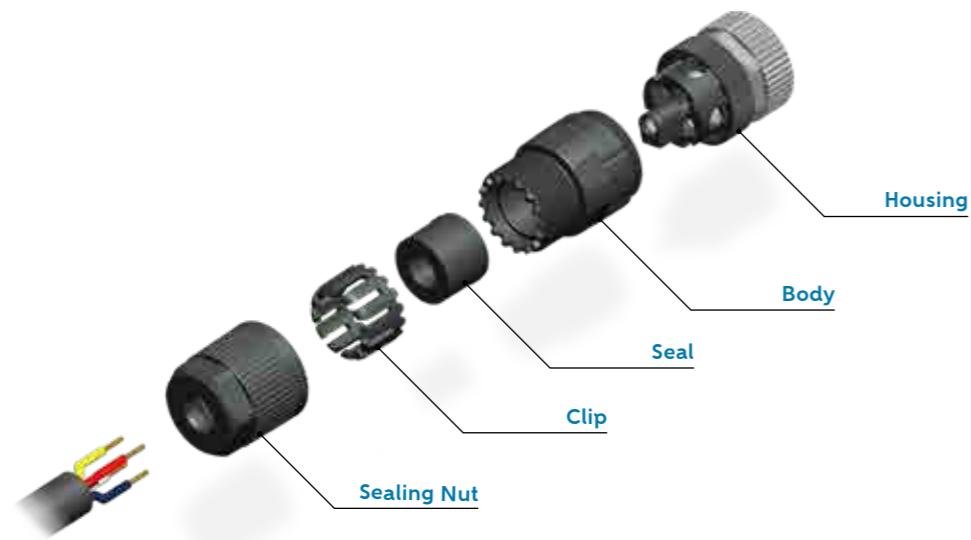
- **Male Connector, Male Pin**
- IEC compliant M12 T-coded field installable with threaded couplers
- Preassembled contact carries with screw terminals provides easy field termination of conductors
- Compact & rugged design for superior power supply applications

Part Number	Contact	Current	Voltage	Cable Range
MATDM03MFF-SRW7001	3Pin	12A	63V	Φ6.0mm~Φ8.0mm
MATDM04MFF-SRW7001	4Pin	12A	63V	Φ6.0mm~Φ8.0mm

Part Number	Contact	Current	Voltage	Cable Range
MATDM03MFF-SRW7002	3Pin	12A	63V	Φ8.0mm~Φ10.0mm
MATDM04MFF-SRW7002	4Pin	12A	63V	Φ8.0mm~Φ10.0mm

## M12 T-Code Female Field Installable (Screw In)

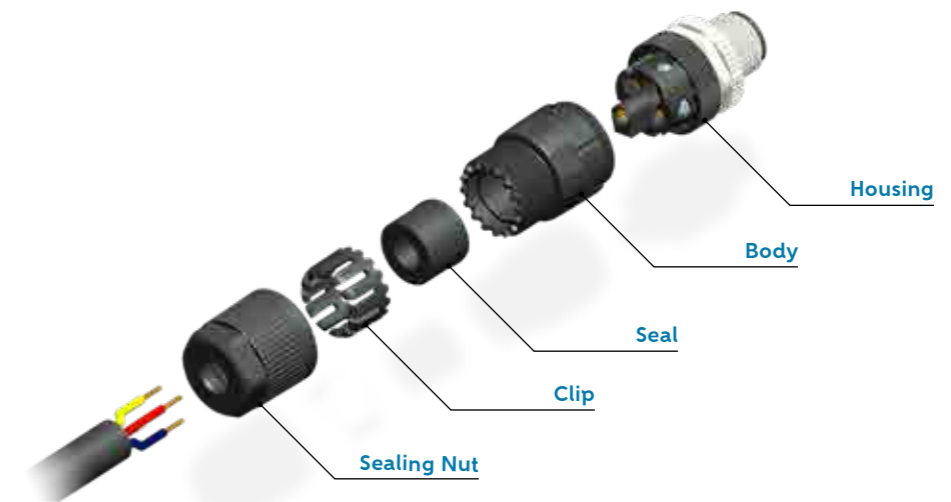
### Assembly Instructions



- Strip the cable sheath and insulation.
- Insert the cable through the sealing nut, clip, seal and body.
- Unscrew the screws.
- Insert each wire to the respective hole and tighten each screw.
- Connect and tighten the body.
- Connect the seal and the clip respectively.
- Connect the sealing nut and tighten using hand tool (optional) or your hand while holding ass'y.

## M12 T-Code Male Field Installable (Screw In)

### Assembly Instructions



- Strip the cable sheath and insulation.
- Insert the cable through the sealing nut, clip, seal and body.
- Unscrew the screws.
- Insert each wire to the respective hole and tighten each screw.
- Connect and tighten the body.
- Connect the seal and the clip respectively.
- Connect the sealing nut and tighten using hand tool (optional) or your hand while holding ass'y.

## M5/M8/M12 Accessory Cap IPX7 (Mated)

### Features and Benefits

- One sealing surface means less likelihood of failure
- Maintains IPX7 rating for functional integrity when connector is not mated
- IPX7 rating ensures cable assemblies are water and dust tight for functional integrity

Part Number	Series	Description	Part Number	Series	Description
CPMMPFCSM73	M5	Male Metal Cap, Metal Chain With Washer	CPMMPFCSN73	M5	Male Metal Cap



Part Number	Series	Description	Part Number	Series	Description
CPMMPMCSM73	M5	Female Metal Cap, Metal Chain With Washer	CPMMPMCSN73	M5	Female Metal Cap



Part Number	Series	Description	Part Number	Series	Description
CPMPPFCSN71	M8	Male Plastic Cap	CPMPPMCSN72	M8	Female Plastic Cap



Part Number	Series	Description	Part Number	Series	Description
CPMMPFCSN71	M8	Male Metal Cap	CPMMPFCSM72	M8	Male Metal Cap, Metal Chain With Washer



## M5/M8/M12 Accessory Cap IPX7 (Mated)

Part Number	Series	Description	Part Number	Series	Description
CPMMPMCSN71	M8	Female Metal Cap	CPMMPMCSM72	M8	Female Metal Cap, Metal Chain With Washer



Part Number	Series	Description	Part Number	Series	Description
CPMMPFCSM71	M12	Male Metal Cap, Metal Chain With Washer	CPMMPMCSM71	M12	Female Metal Cap, Metal Chain With Washer



Part Number	Series	Description	Part Number	Series	Description
CPMMPFCSM74	M12	Male Metal Cap, Metal Chain With Washer	CPMMPMCSM74	M12	Female Metal Cap, Metal Chain With Washer



Part Number	Series	Description	Part Number	Series	Description
CPMMPFCSN72	M12	Male Metal Cap	CPMMPMCSN72	M12	Female Metal Cap



Part Number	Series	Description	Part Number	Series	Description
CPMPPFCSN71	M12	Male Plastic Cap	CPMPPMCSN71	M12	Female Plastic Cap

