



HDMI

SERIES

HDMI Type A

Product Specifications

General Data

Connector Type	HDMI Type A
Shell / Screw Nut	Nylon+GF
Terminal	Copper Alloy, Gold Plated

Electrical Data

Current Rating	0.5A
Voltage Rating	30V
Contact Resistance	≤ 20mΩ
Withstanding Voltage	AC 300V/1 Minute
Standard	-

Environmental Data

Mating Style	3-Point Bayonet Lock
Max Panel Thickness	4.5mm (Without Cap Chain)
Temperature Range	General -40°C ~ +105°C With Cable -20°C ~ +80°C
Salt Spray	48 hr.
Protection Class	IPX7 (Unmated)
Durability	1000 Times

How to Order

HDD X X 120HA - K X X 7 XXX

Style

A - Molding Cable With S/R
P - Panel Front Mounting

Connector Style

P - Plug Connector
J - Jack Connector

Back Shell

L - Straight
C - Circular

Assembly Style

C - Molding Type Simple Cut
D - Plug Non-Waterproof
J - Jack Female
P - 180 Degree PCB Type

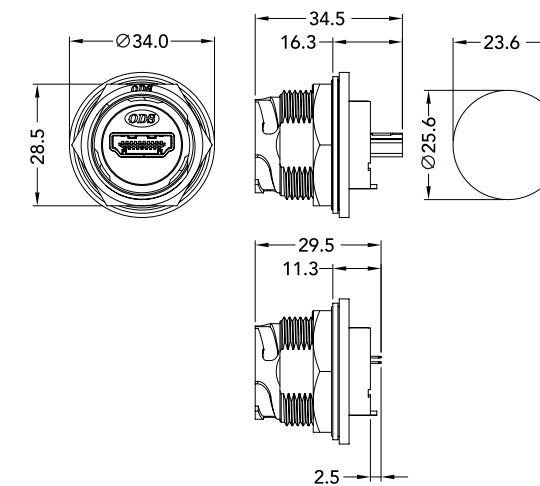
Without Cable

001, 002,

For Cable

A01~A05 = 1M~5M
B01~B03 = 1M~3M

HDMI Type A Receptacle (Plastic) Front Fastened, IPX7

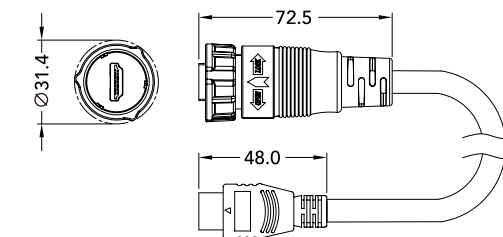


Features and Benefits

- Size 1"-20UNEF
- Rugged, compact design, plastic panel mount receptacle
- Shielded shell for high noise immunity
- 3-Point Bayonet Lock
- Up to 1,000 mating cycles

Part Number	Contact	Current	Voltage	Ass'y Type
HDDPJ120HA-KCJ7001	19Pin	0.5A	30V	Jack Straight
HDDPJ120HA-KCP7001	19Pin	0.5A	30V	PCB Straight

HDMI Type A Cable Assembly (Plastic) Straight, IPX7



Features and Benefits

- Size 1"-20UNEF
- Rugged, compact design, plastic HDMI cable assemblies
- Simple cut or with HDMI plug-end
- Shielded shell for high noise immunity
- 3-Point Bayonet Lock
- Up to 1,000 mating cycles

Part Number	Contact	Current	Voltage	Ass'y Type
HDDAP120HA-KLC7AXX	19Pin	0.5A	30V	Cable End Cut
HDDAP120HA-KLD7AXX	19Pin	0.5A	30V	Cable End Plug

Part Number	Contact	Current	Voltage	Ass'y Type
HDDAP120HA-KLC7BXX	19Pin	0.5A	30V	Cable End Cut
HDDAP120HA-KLD7BXX	19Pin	0.5A	30V	Cable End Plug

HDMI Type D

Product Specifications

General Data

Connector Type	HDMI Type D
Shell / Screw Nut	Nylon+GF
Terminal	Copper Alloy, Gold Plated

Electrical Data

Current Rating	0.3A
Voltage Rating	30V
Contact Resistance	≤ 10mΩ
Withstanding Voltage	AC 150V/1 Minute
Standard	-

Environmental Data

Mating Style	3-Point Bayonet Lock
Max Panel Thickness	4.5mm (Without Cap Chain)
Temperature Range	General -40°C ~ +85°C With Cable -20°C ~ +80°C
Salt Spray	48 hr.
Protection Class	IPX7 (Unmated)
Durability	1000 Times

How to Order

HDB X X 140HD - K X X 7 XXX

Style
A - Molding Cable With S/R
P - Panel Front Mounting

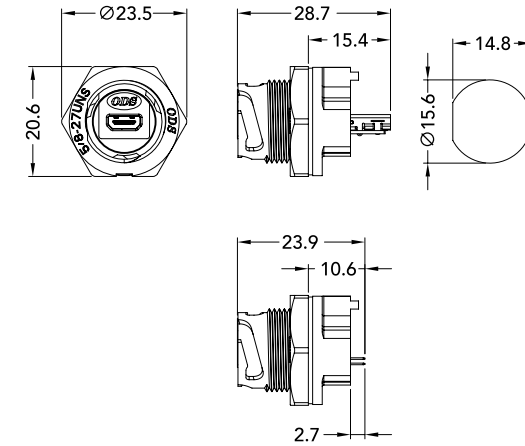
Connector Style
P - Plug Connector
J - Jack Connector

Back Shell
L - Straight
C - Circular

Assembly Style
D - HDMI-A Plug Non-Waterproof
E - HDMI-D Plug Non-Waterproof
J - Jack Female
P - 180 Degree PCB Type

Without Cable
001, 002,
For Cable
A01~A1D = 1M~1.5M

HDMI Type D Receptacle (Plastic) Front Fastened, IPX7

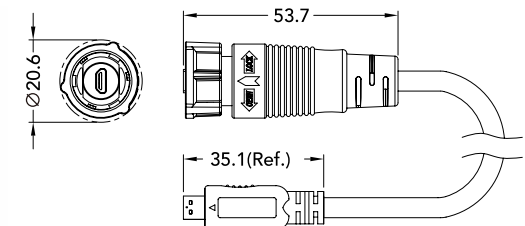


Features and Benefits

- Size 5/8"-27UNS
- Rugged, compact design, plastic panel mount receptacle
- Shielded shell for high noise immunity
- 3-Point Bayonet Lock
- Up to 1,000 mating cycles

Part Number	Contact	Current	Voltage	Ass'y Type
HDBPJ140HD-KCJ7001	19Pin	0.3A	30V	Jack Straight
HDBPJ140HD-KCP7001	19Pin	0.3A	30V	PCB Straight

HDMI Type D Cable Assembly (Plastic) Straight, IPX7

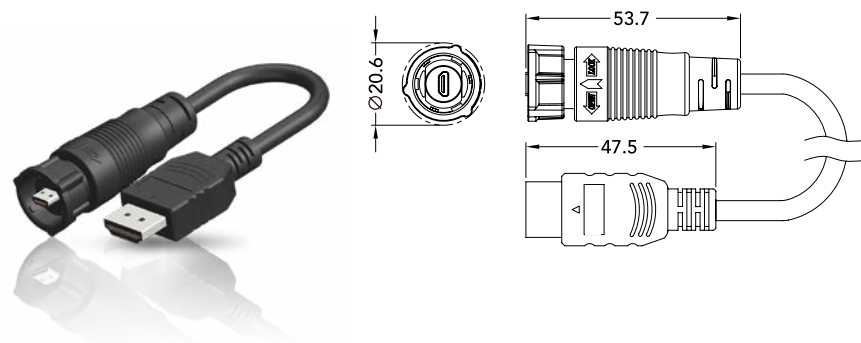


Features and Benefits

- Size 5/8"-27UNS
- Rugged, compact design, plastic HDMI cable assemblies with HDMI plug-end
- Shielded shell for high noise immunity
- 3-Point Bayonet Lock
- Up to 1,000 mating cycles

Part Number	Contact	Current	Voltage	Ass'y Type
HDBAP140HD-KLE7AXX	19Pin	0.3A	30V	Cable End Plug

HDMI Type D Cable Assembly (Plastic) Front Fastened, IPX7



Features and Benefits

- Size 5/8"-27UNS
- Rugged, compact design, plastic HDMI cable assemblies with HDMI plug-end
- Shielded shell for high noise immunity
- 3-Point Bayonet Lock
- Up to 1,000 mating cycles

Part Number	Contact	Current	Voltage	Ass'y Type
HDBAP140HD-KLD7AXX	19Pin	0.3A	30V	Cable End Plug

HDMI Accessory Cap IPX7 (Mated)

Features and Benefits

- One sealing surface means less likelihood of failure
- Maintains IPX7 rating for functional integrity when connector is not mated
- IPX7 ratings ensures cable assemblies are water and dust tight for functional integrity

Part Number	Size	Description	Part Number	Size	Description
CPDPPMCKN71	1"-20UNEF	Female Plastic 3P Lock Cap	CPDPPMCKP71	1"-20UNEF	Female Plastic 3P Lock Cap, With Rubber Chain



Part Number	Size	Description	Part Number	Size	Description
CPDPPMCKM71	1"-20UNEF	Female Plastic 3P Lock Cap, With Metal Chain	CPBPPMCKN72	5/8"-27UNS	Female Plastic 3P Lock Cap



Part Number	Size	Description	Part Number	Size	Description
CPBPPMCKM73	5/8"-27UNS	Female Plastic 3P Lock Cap, With Metal Chain	CPBPPMCKP73	5/8"-27UNS	Female Plastic 3P Lock Cap, With Rubber Chain



Part Number	Size	Description
CPBPPMCKP74	5/8"-27UNS	Female Plastic 3P Lock Cap, With Rubber Chain



